

Date: January 27, 2020

**Subject: Addition of Remote Bleeder Inlet Line to Dexter 6,000 - 8,000 lb. Disc Brakes**

Dexter is pleased to announce the addition of a remote bleeder inlet line on the Dexter 6,000 – 8,000 lb. disc brakes. This update moves the bleeder screw from its current outboard position to an inboard position, while retaining location and improving the angle of the incoming brake line. This product enhancement remains consistent with Dexter’s mission of providing continual improvement while focusing on customer satisfaction.

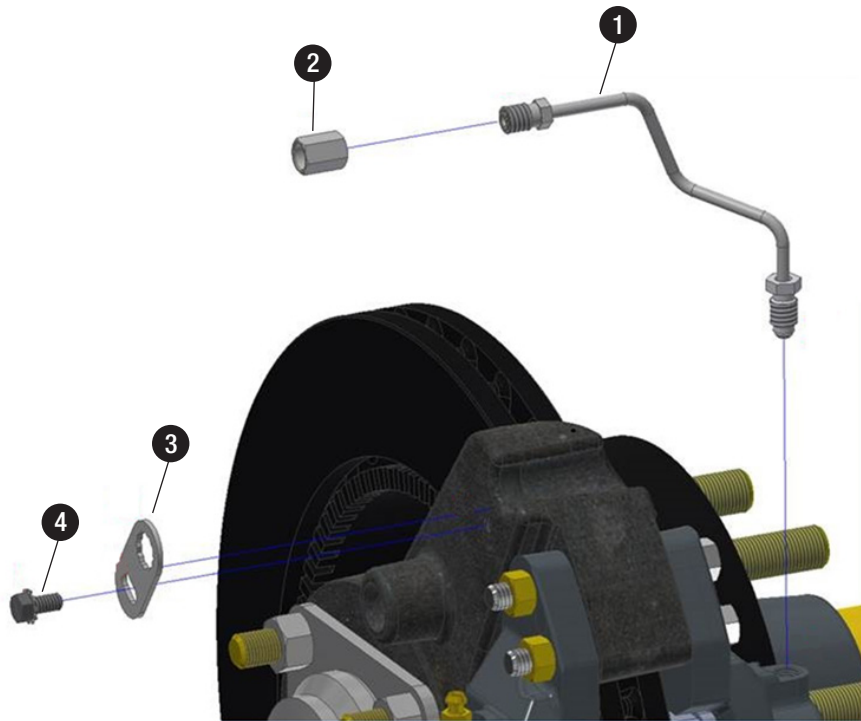
Each remote bleeder inlet line assembly is comprised of a cross-over tube, union, mounting tab and screw. The update retains the same caliper casting and thread as before, therefore no change to the caliper halves was required to support the improvement. The new inlet line does require the use of disc brake mounting yokes with a notch.

This change will save the end user unnecessary service time by allowing them to bleed the brakes without removing the wheel. Dexter’s premium disc brake will be easier to use and service in the field. OEMs will also experience more ease while plumbing each unit.

This improvement is a running change that will be seen on all Dexter disc brakes mounted on Sprung and Torflex® axles with capacity ratings from 6,000 - 8,000 Lb., and service replacement kits.

The table below lists remote bleeder inlet components that will be seen on axle assemblies and kits (listed on page 2).

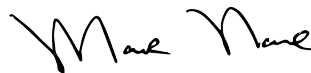
ITEM	PART NUMBER	DESCRIPTION
1	071-840-00	Brake Line Assembly Remote Inlet 6K-8K Disc Brake Right Hand
1	071-841-00	Brake Line Assembly Remote Inlet 6K-8K Disc Brake Left Hand (shown)
2	071-A73-00	Brass Union Fitting
3	070-031-01	Brake Line Mounting Plate
4	087-002-00	Hex Head 1/4" UNC x 1/2"



Dexter Disc Brake Kits Affected with Remote Bleeder Inlet Line:

KIT NUMBER	DESCRIPTION
K71-636-00	6,000 Lb. Caliper Replacement Kit Left/Right Hand
K71-693-00	7,000 Lb. Caliper Replacement Kit Left/Right Hand
K71-630-00	8,000 Lb. Caliper Replacement Kit Left/Right Hand
K71-636-01	6,000 Lb. Caliper Replacement Kit w/ Pads Left/Right Hand
K71-693-01	7,000 Lb. Caliper Replacement Kit w/ Pads Left/Right Hand
K71-630-01	8,000 Lb. Caliper Replacement Kit w/ Pads Left/Right Hand
K71-638-00	6,000 Lb. Disc Brake Retrofit Kit Left Hand
K71-639-00	6,000 Lb. Disc Brake Retrofit Kit Right Hand
K71-647-00	6,000 Lb. Disc Brake Retrofit Kit Left Hand Nev-R-Lube®
K71-648-00	6,000 Lb. Disc Brake Retrofit Kit Right Hand Nev-R-Lube®
K71-694-00	7,000 Lb. Disc Brake Retrofit Kit Left Hand
K71-695-00	7,000 Lb. Disc Brake Retrofit Kit Right Hand
K71-635-00	8,000 Disc Brake Retrofit Kit
K71-646-00	8,000 Disc Brake Retrofit Kit Left/Right Hand, Nev-R-Lube®

Please contact your Dexter account manager for additional information and further assistance.



Mark Nave  
Market Manager