

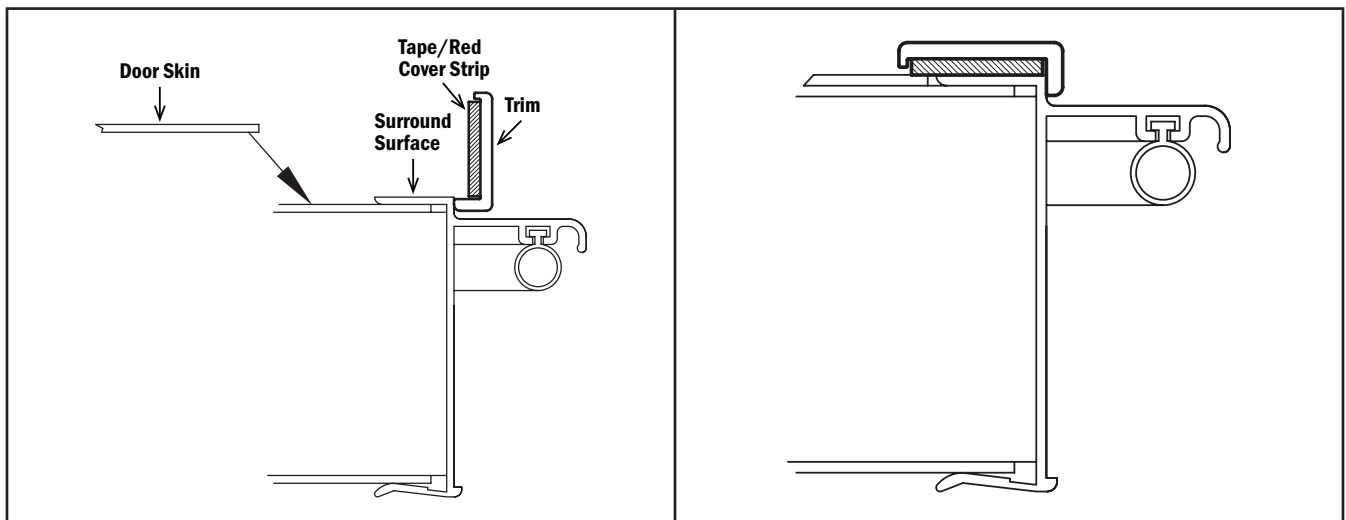
Date: July 24, 2019

**Subject: Re-Skin Kit Trim**

Dexter is pleased to announce an innovative new way to change door skins without the hassle of rebuilding the entire unit. This improvement will save you from the unnecessary frustration that normally comes with overlaying skins on doors, whether it is damaged or a color change.

This new design will significantly reduce the time it takes to skin the door. What originally took 30 minutes will take less than 10 minutes with this new method. The skin kit trim is specially designed to give doors a clean edge and leave the finished product looking sharp and professional. You can have peace of mind that your newly skinned door will look good for years to come.

The below figure illustrates the process of the new re-skin trim kit design.

**Figure 1 (Align Tape)****Figure 2 (Apply Tape)**

Please contact your Dexter Account Manager for any additional questions or further assistance.



Dennis Fletcher  
Product Manager