

Date: March 26, 2019

Subject: 25K Lunette Eye

Dexter is pleased to introduce a 25K lunette eye. The new 25K lunette eye will replace the 14K-21K lunette eyes used by Titan, Tie Down, and UFP. When supplies are exhausted of the 14K-21K lunette eyes, products using the 14K-21K lunette eyes will automatically upgrade to the 25K lunette eye.



NOTE: applications using a 25K lunette eye and the other components not rated at 25K, the GVWR will be restricted to the lowest component rating.

WEIGHT RATING EXAMPLES

Example 1: Trailer is built with two (2) 7K axles and uses the 25K lunette eye. The trailer's GVWR will only be 14K.

Example 2: Trailer is built with two (2) 15K axles and uses the 25K lunette eye. The trailer's GVWR will only be 25K.

Example 3: 25K lunette eye is used in conjunction with a DX20EX 20K surge actuator. The actuator and lunette eye in combination will only rate at 20K.

Pintle Ring / Lunette Eye Chart				
Discontinued Models		Replacement Models		Replacement Model Description
Legacy Titan	Dexter No.	Bulk	Boxed	Description
16137000183	074-325-01	074-563-07	N/A	Lunette Eye, 2 Hole, 3", GAL-DEX®
	NEW	074-563-31	K74-563-31	Lunette Eye & Hardware - E-Coat - 25K
1812800	071-B47-00	074-563-34	K74-563-34	Lunette Eye & 3 Pos. Channel - E-Coat - 25K
4865700	071-B45-00	074-563-36	K74-563-36	Lunette Eye & 5 Pos. Channel - E-Coat - 25K
	NEW	074-563-21	K74-563-21	Lunette Eye & Hardware - GAL-DEX® - 25K
	NEW	074-563-24	K74-563-24	Lunette Eye & 3 Pos. Channel - GAL-DEX® - 25K
	NEW	074-563-26	K74-563-26	Lunette Eye & 5 Pos. Channel - GAL-DEX® - 25K
Legacy UFP	Dexter No.	Bulk	Boxed	Description
N/A	K74-014-00	074-563-21	K74-563-21	Lunette Eye & Hardware - GAL-DEX® - 25K

Service Part Kits – Lunette Eye



Lunette Eye & Hardware – E-Coat – 25K

K74-563-31

Bulk - 074-563-31

Dexter Part No.	QTY	Description
074-563-05	1	Lunette Eye, 2 Hole, 3", E-Coat
007-371-00	2	Bolt, Grade 5, 5/8-11 x 4.5"
006-253-00	2	Nut, Lock, 5/8-11



Lunette Eye & Hardware – GAL-DEX® – 25K

K74-563-21

Bulk - 074-563-21

Dexter Part No.	QTY	Description
074-563-07	1	Lunette Eye, 2 Hole, 3", GALDEX
007-371-00	2	Bolt, Grade 5, 5/8-11 x 4.5"
006-253-00	2	Nut, Lock, 5/8-11



Lunette Eye & 3 Pos. Channel – E-Coat – 25K

K74-563-34

Bulk - 074-563-34

Dexter Part No.	QTY	Description
074-563-05	1	Lunette Eye, 2 Hole, 3", E-Coat
074-323-00	1	Channel Bracket, 4 Hole, 3 Position
007-371-00	2	Bolt, Grade 5, 5/8-11 x 4.5"
006-253-00	2	Nut, Lock, 5/8-11



Lunette Eye & 3 Pos. Channel – GAL-DEX® – 25K

K74-563-24

Bulk - 074-563-24

Dexter Part No.	QTY	Description
074-563-07	1	Lunette Eye, 2 Hole, 3", GAL-DEX®
074-323-00	1	Channel Bracket, 4 Hole, 3 Position
007-371-00	2	Bolt, Grade 5, 5/8-11 x 4.5"
006-253-00	2	Nut, Lock, 5/8-11



Lunette Eye & 5 Pos. Channel – E-Coat – 25K

K74-563-36

Bulk - 074-563-36

Dexter Part No.	QTY	Description
074-563-05	1	Lunette Eye, 2 Hole, 3", E-Coat
074-355-00	1	Channel Bracket, 6 Hole, 5 Position
007-371-00	2	Bolt, Grade 5, 5/8-11 x 4.5"
006-253-00	2	Nut, Lock, 5/8-11



Lunette Eye & 5 Pos. Channel – GAL-DEX® – 25K

K74-563-26

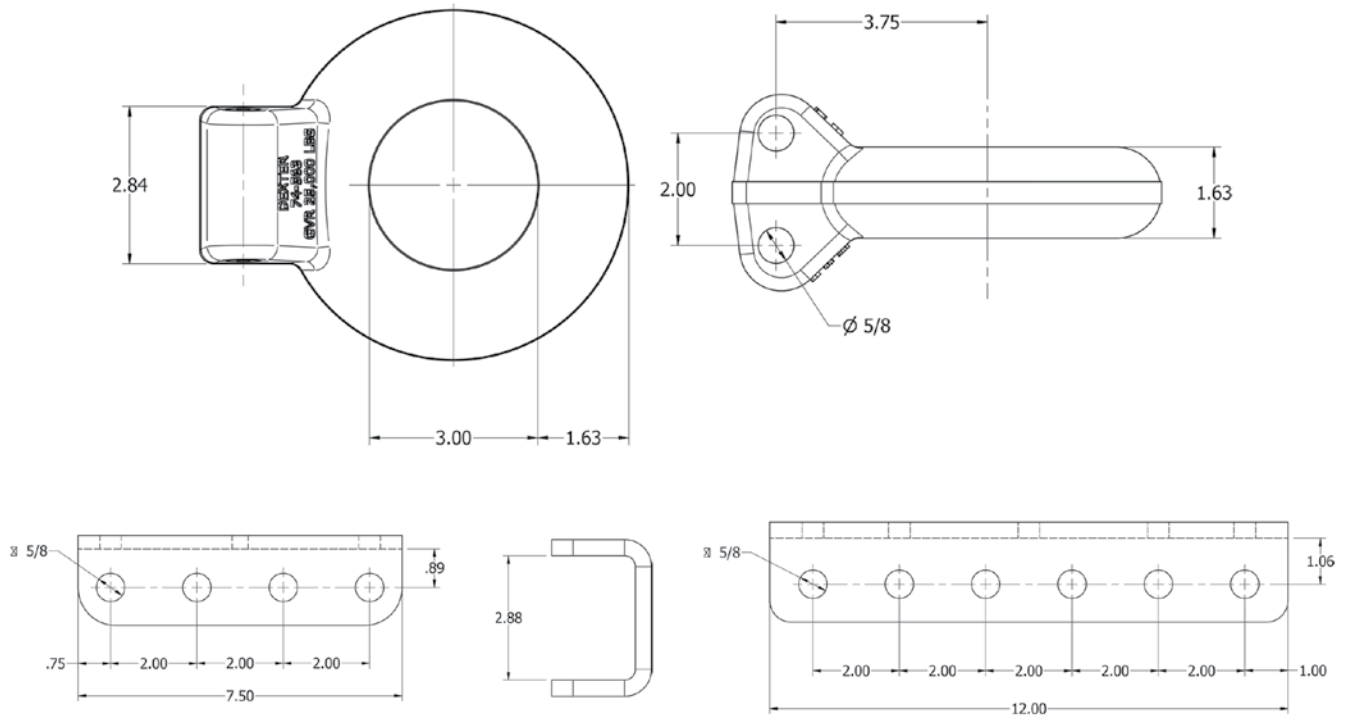
Bulk - 074-563-26

Dexter Part No.	QTY	Description
074-563-07	1	Lunette Eye, 2 Hole, 3", GAL-DEX®
074-355-00	1	Channel Bracket, 6 Hole, 5 Position
007-371-00	2	Bolt, Grade 5, 5/8-11 x 4.5"
006-253-00	2	Nut, Lock, 5/8-11

Lunette Eyes & Surge Actuators

When surge actuators with lunette eyes are ordered, the lunette eyes associated with the respective surge actuators will be upgraded to the 25K lunette eye as supply of the 14K-21K lunette eyes are exhausted.

Dimensional Information



Please contact your account manager for additional details, ordering, availability, or other questions. Not all products may be available at all plants.

Dexter - Atlanta

5600 Bucknell Drive
 Atlanta, Georgia 30336
 (404) 477-6899
 csdexter23@dexteraxle.com

Dexter - San Marcos

135 Sunshine Lane
 San Marcos, California 92069
 (760) 744-1610
 csdexter24@dexteraxle.com

Dexter - Winchester

1041 Baxter Lane
 Winchester, Tennessee 37398
 (931) 967-5101
 csdexter25@dexteraxle.com



Jay Klinkerman
 Market Manager