

Date: July 31, 2015

Subject: Introduction of Dexter's Heavy Duty Suspension System (HDSS)

In keeping with our commitment to product innovation, Dexter Axle is pleased to announce the introduction of a Heavy Duty Suspension System (HDSS) to our product offering. This product is available immediately.

Standard Features:

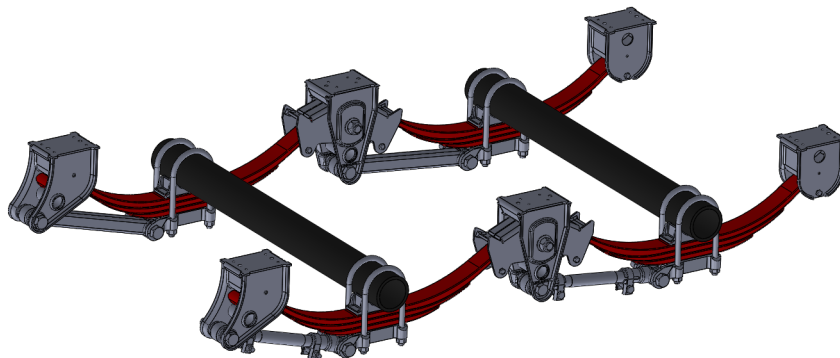
- Provides the ability for axle alignment through the adjustable trailing arms.
- Heavy duty mechanical suspension designed for axles from 10,000 to 15,000 lbs. in tandem sets.
- Industrial standard 49.00" axle spacing provides better load balance.
- Heavy duty hangers and equalizers are fabricated from light weight, high strength steel resulting in a lighter more durable trailer suspension.
- Extended life equalizer bushing leads to lower maintenance time and cost.
- Approved for single and tandem applications; not approved for triple axle configuration.
- 3-year limited warranty on suspension system when combined with original Dexter axles.

For a tandem axle, you must order one front and one rear. These must be assembled with the short hook facing forward on the front axle and facing back on the rear axle (see drawing on page 3).

Axles using this suspension system will be configured with springs.

The part numbers for the hanger and attaching parts kits are:

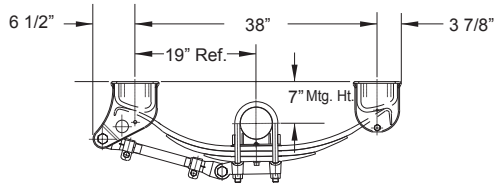
Part No.	Description	Axle Spacing
HAP-161-01	Single Axle Hanger & A/P Kit	N/A
HAP-261-01	Multi-Axle Conversion Kit	49"

*Rick Kapsa*

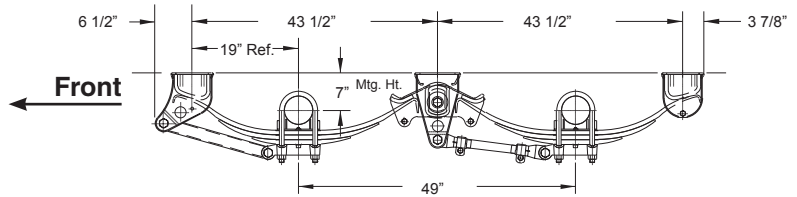
Rick Kapsa
Market Manager

Suspension Dimensions – Kits for 3" Wide Springs HDSS Underslung

SINGLE



TANDEM



10-15K Single Axle HAP-161-01

Part No.	Qty	Description
028-082-05	2	Front Hanger
030-075-05	2	Rear Hanger
062-010-10	1	Track Rod Bushed Adj 19.25
062-011-10	1	Track Rod Bushed Fixed 19.25
007-169-00	4	Track Rod Bolt 1-8 UNF x 5.50
006-112-00	4	Track Rod Locknut 1-8 UNF
033-091-01	2	Keeper Bolt Sleeve
007-294-00	2	Spring Keeper Bolt 5/8-18 x 4.50
006-126-00	1	Keeper Bolt Locknut 5/8-18
059-918-00	1	Instruction Sheet

10-15K Tandem Axle HAP-261-01

Part No.	Qty	Description
028-044-10	2	Center Hanger and EQ Assembly
062-010-10	2	Track Rod Bushed Adj 19.25
062-011-10	1	Track Rod Bushed Fixed 19.25
007-169-00	1	Track Rod Bolt 1-8 UNF x 5.50
006-112-00	4	Track Rod Locknut 1-8 UNF
033-091-00	4	Keeper Bolt Sleeve
007-294-00	2	Spring Keeper Bolt 5/8-18 x 4.50
006-126-00	1	Keeper Bolt Locknut 5/8-18
059-918-00	1	Instruction Sheet

10-15K Single Axle HAP-161-01

Front Hanger Spacing	38.0
Static Bump Clearance	3.75
Tire Center	7.0
Axle Location	19.0

10-15K Tandem Axle HAP-261-01

Front Hanger Spacing	43.5
Rear Hanger Spacing	43.5
Static Bump Clearance	3.75
Tire Center	7.0
Axle Location	19.0
Front Axle Spacing	49.0

Note: Mounting height shown above is in the unloaded condition.

Difference Between Hub Face Track Width and Spring Center

	Minimum	Maximum		
D100GD				
Hub Face (single wheel)	23.50"	31.00"		
Track width (dual wheel)	26.00"	31.00"		
D100HD				
Hub Face (single wheel)	25.38"	31.00"		
Track width (dual wheel)	26.00"	31.00"		
D150HD				
Hub Face (single wheel)	28.12"	32.12"		
Track width (dual wheel)	29.00"	33.00"		
	Low Profile Minimum	Low Profile Maximum	High Profile Minimum	High Profile Maximum
D120HD				
Hub Face (single wheel)	32.74"	40.24"	25.88"	40.38"
Track width (dual wheel)	33.50"	41.00"	26.50"	40.40"

High profile uses 16" and 16.5" wheels; low profile uses 14.5" wheels

