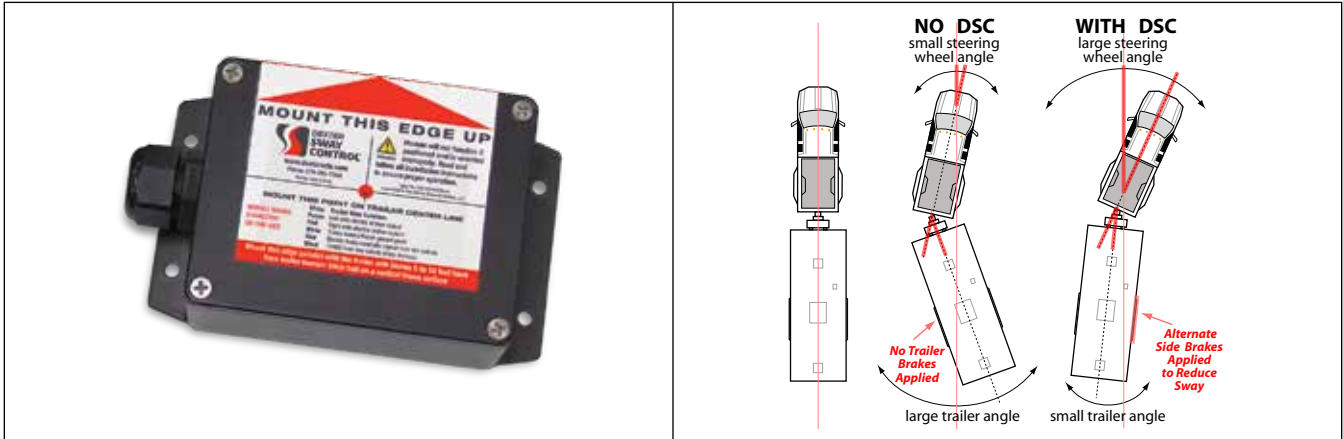


Date: July 18, 2014

**Subject: Dexter Sway Control (DSC)**

In keeping with our continual commitment to product innovation, Dexter Axle is pleased to announce the addition of the Dexter Sway Control System; a critical safety item to stabilize the sway of your RV or trailer. This feature is only available pre-installed by the trailer manufacturer on units with electric brakes.

The DSC system continuously monitors trailer yaw and rapidly identifies a trail sway condition. What is yaw? Yaw is the side-to-side movement around an axis. As it relates to a tow vehicle and trailer; the movement of a trailer that is going left to right of the tow vehicle.



Causes: Displaced air flow when being passed by a semi-truck and trailer, a large gust of wind pushing against the side of the trailer, a sudden swerve to avoid something in the road. All of these situations can cause the trailer to sway and possibly end up losing control of the tow vehicle and trailer.

The DSC will work independent of the tow vehicle to apply the trailer brakes during an event of sway.

Depending on which way the trailer is swaying, the DSC will detect it automatically and apply the brakes on the opposite side of the sway. This will straighten out the trailer.

Features	Benefits
LED Status Light	RED/GREEN LED light on a 10' cord for mounting in an easily seen location to show the functional status of the unit with different flashing modes for diagnostic troubleshooting.
Automatic system disable in off-road conditions	The module continuously monitors the sway sensor to detect and activate during trailer sway. It also is able to determine rough terrain during which it disables the sway control braking until exiting the rough terrain at which time the system re-enables.
Trailer sway brake level auto adjustment	Closed-loop sensory feedback allowing the system to independently increase or decrease the right and left side sway control braking levels to compensate for variances in trailer brake condition/efficiency.
Fully sealed, water resistant	The system is fully sealed and water resistant. It is designed to withstand water from road spray.

The Dexter Sway Control System will be covered under our two-year limited warranty.

Please contact your Dexter sales engineer for pricing and availability.

*Rick Kapsa*

Rick Kapsa  
Market Manager