



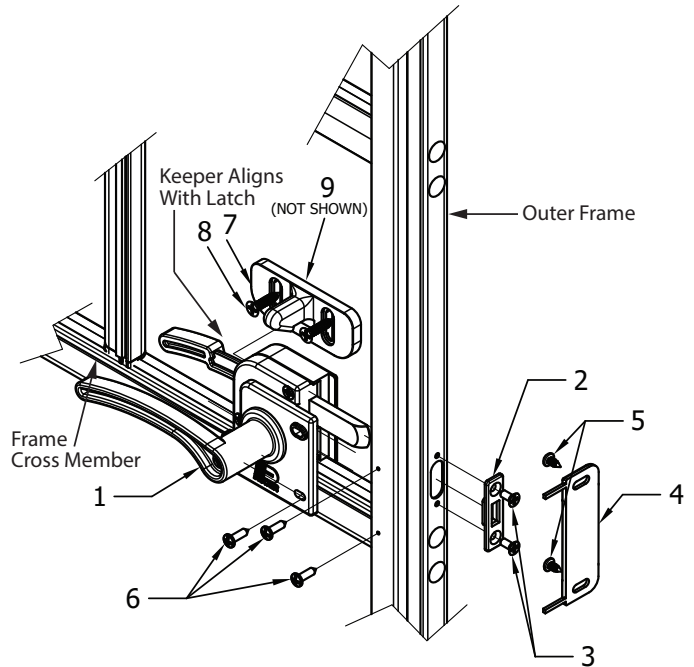
INSTALLATION INSTRUCTIONS

Screen Door Handle Kit

990003-01: Right Hand Screen Door Handle Kit
990003-02: Left Hand Screen Door Handle Kit

Parts List

Item	Quantity	Part Number	Description
1	1	4725-06	Latch Assembly RH
1	1	4726-06	Latch Assembly LH
2	1	4712-06	Latch Bezel
3	2	4723-00	#6-20 x 3/8" FH Screw
4	1	4729-00	Strike Plate for Screen Door
5	2	3030-00	#6 x 5/16" PPH Screw
6	3	CB0407-00	#6 x 1/2" Screw
7	1	4427-06	Keeper
8	2	2692-00	#8-18 x 3/4" FH Screw
9	1	7028	Foam Tape (REF)



4725-00 Right Hand Latch Assembly Shown

1. Install latch bezel (4712-06) and screws (4723-00).
2. Locate latch housing flush against frame cross-member and outer frame.
3. Install CB0407-00 screws.
4. Prelocate keeper so that it will cam latch handle down to unlatch screen door.
5. Install screws (2692-00) to attach keeper to door core.