



# INSTALLATION INSTRUCTIONS

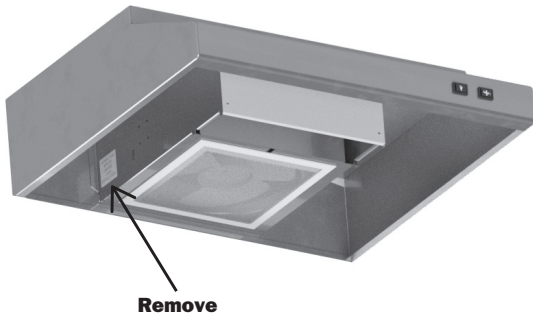
## Remote Range Hood Damper Lock (990004-00)

Compatible with S0721, PH73, PH62, and PH22 Range Hood Series models which have a REMOVE FOR REMOTE DAMPER LOCK INSTALLATION label.

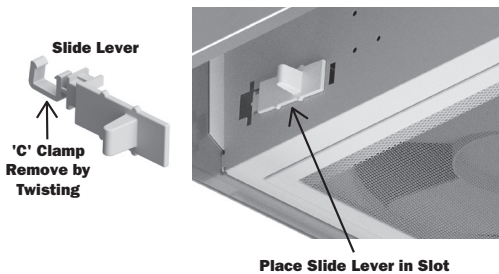
**CAUTION**

Review and understand all installation instructions before beginning installation. Wear proper safety equipment during installation.

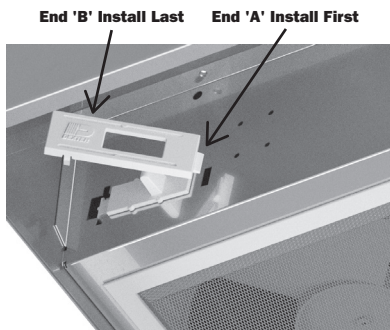
1. Remove the remote damper lock label



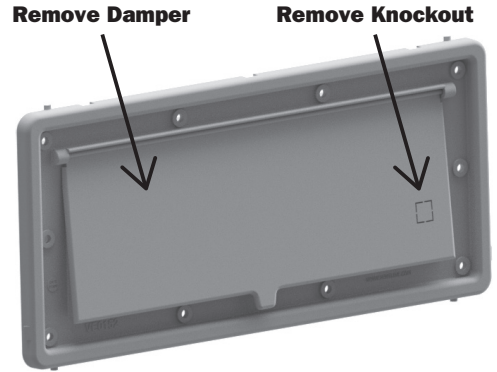
2. Remove 'C' clamp from slide lever and set aside for later installation. Place slide lever into slot on blower housing as shown.



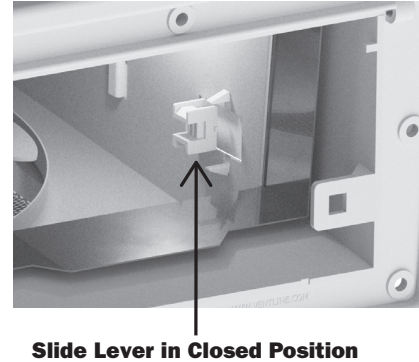
3. Install bezel into blower housing by inserting end 'A' into rectangular slot and then snapping end 'B' into place. Verify slide lever moves freely back and forth. Leave slide lever in closed position (toward range hood front).



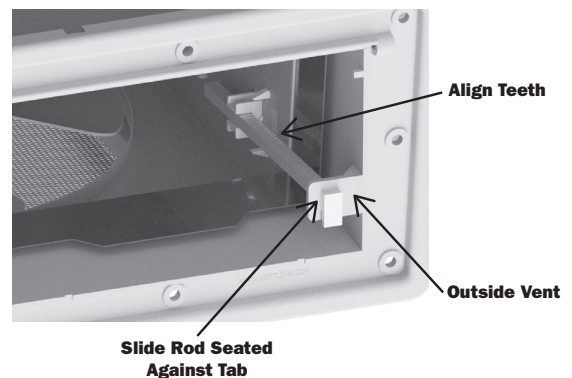
4. Remove wall vent cover (not shown) and damper. Remove square knockout in lower right hand corner of damper; set damper aside for later installation.



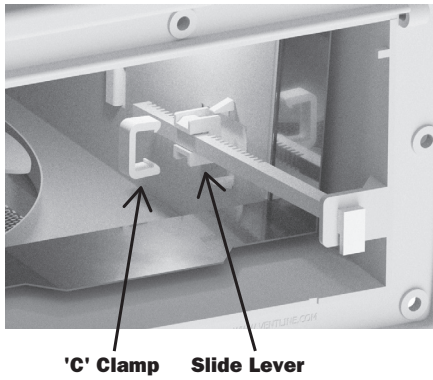
5. Verify slide lever is in the fully closed position toward front of range hood.



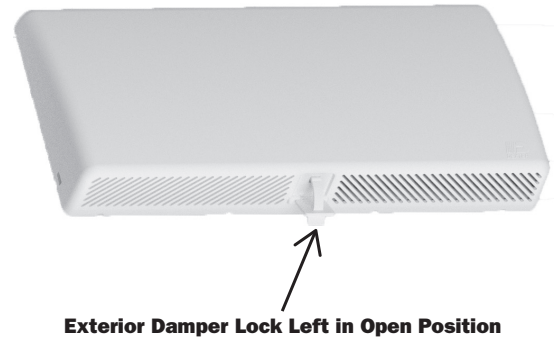
6. Insert slide rod through opening in vent mounting tab until fully seated against tab. Teeth on slide lever and slide rod must be nested together.



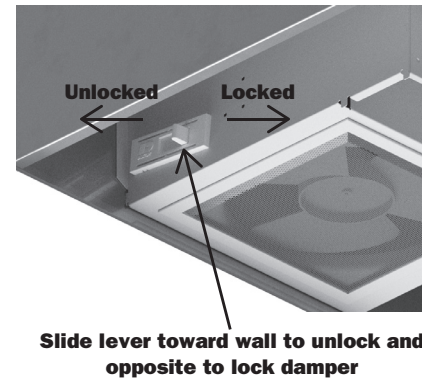
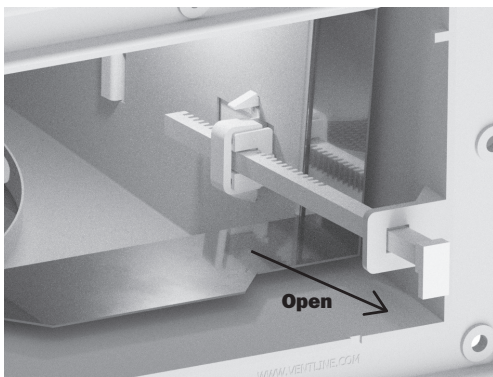
7. Snap 'C' clamp over slide rod and slide lever securing rod in place.



10. Reinstall cover. The wall vent damper lock may now be left in the open position and the interior remote damper lock can now be used to lock the damper closed.



8. Move slide lever and slide rod assembly to the full open position.



9. Reinstall damper, feeding the slide rod through the damper knockout opening. Verify damper operates.

