



# GLADIATOR

ROBUST SPRUNG AXLE PACKAGE

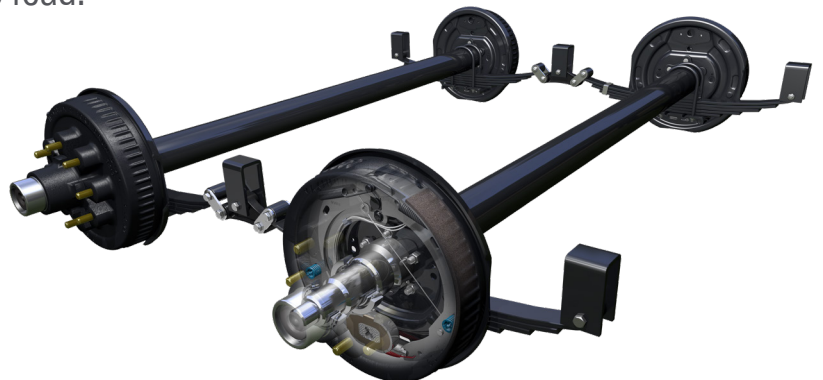


## RUGGED FOR THE ROAD AHEAD

### DEXTER'S GLADIATOR SPRUNG AXLE PACKAGE PROVIDES THE PERFORMANCE YOUR CUSTOMERS WANT.

In today's harsh towing environment, Dexter's Gladiator sprung axle package includes a heavy wall axle tube, increased spring capacity, and improved braking with Nev-R-Adjust® forward self-adjusting brake or optional disc brakes. The Gladiator package provides stronger and more robust performance in applications on and off the road.

- 50% thicker heavy wall axle tube maintains camber and increases tire life
- Nev-R-Adjust Brakes provide optimum braking performance, reducing stopping distance versus under adjusted brakes
- Increases leaf spring capacity, decreasing the likelihood of flattened springs



[www.dexteraxle.com](http://www.dexteraxle.com)