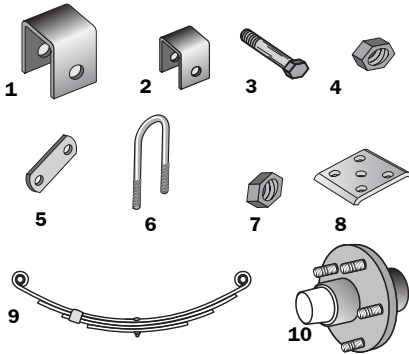




KIT COMPONENTS

Single Axle Spring Hanger Kit

Kit Contents:

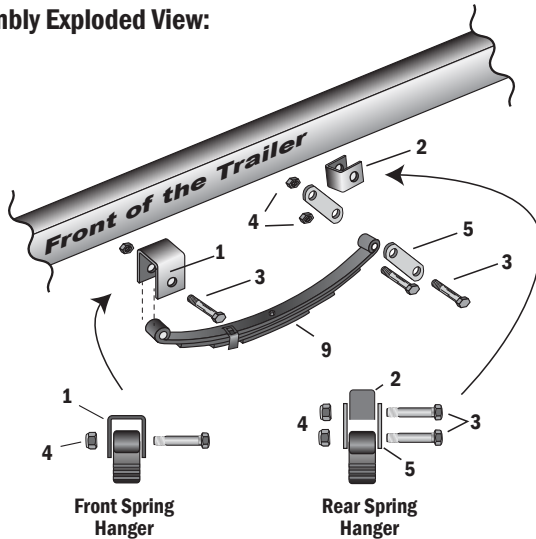


Spring hangers for double eye springs are welded on the bottom of the frame. The spacing for the hangers is generally 1/2" shorter than the distance between the "eyes" of the spring. All measurements taken from center of brackets and center of spring "eyes". Single axle double eye springs require spring shackles on the rear mount to allow spring movement. Please refer to the Owner's Manual for more specific installation details.

K71-G02-04 (86544) contains the following components:

#	Qty.	TDE Part #	DX Part #	Description
1	2	17144	028-049-00	Front Spring Hanger
2	2	17010	030-020-00	Rear Spring Hanger
3	6	10830	007-612-00	Shackle Bolt 9/16"x3"
4	6	10688	006-727-00	Nylon Lock Nut 9/16"
5	4	17145	018-012-00	Shackle Link
6	4	84771-1Z	011-303-00	U-bolt 1/2" x 1.75" x 4.38"
7	8	10645	006-714-00	Nylon Lock Nut 1/2"
8	2	17107Z	012-316-05	Axle Tie Plate
9	2	13099	072-022-00	Leaf Springs
10	2	46204ECA	008-523-09	Hub 1250#, 4 Stud - E-coated

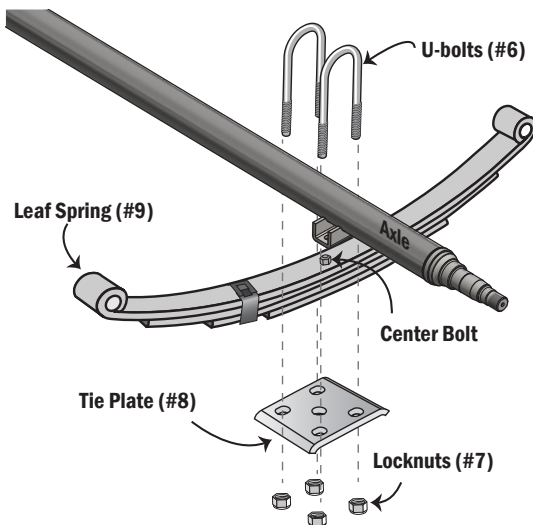
Hanger Assembly Exploded View:



K71-G02-05 (86545) contains the following components:

#	Qty.	TDE Part #	DX Part #	Description
1	2	17144	028-049-00	Front Spring Hanger
2	2	17010	030-020-00	Rear Spring Hanger
3	6	10830	007-612-00	Shackle Bolt 9/16"x 3"
4	6	10688	006-727-00	Nylon Lock Nut 9/16"
5	4	17145	018-012-00	Shackle Link
6	4	84771-1Z	011-303-00	U-bolt 1/2" x 1.75" x 4.38"
7	8	10645	006-714-00	Nylon Lock Nut 1/2"
8	2	17107Z	012-316-05	Axle Tie Plate
9	2	13099	072-022-00	Leaf Springs
10	2	46206ECA	008-525-04	Hub 1250#, 5 Stud - E-coated

U-Bolt Exploded View:



K71-G02-06 (86540) contains the following components:

#	Qty.	TDE Part #	DX Part #	Description
1	2	17144	028-049-00	Front Spring Hanger
2	2	17010	030-020-00	Rear Spring Hanger
3	6	10830	007-612-00	Shackle Bolt 9/16"x3"
4	6	10688	006-727-00	Nylon Lock Nut 9/16"
5	4	17145	018-012-00	Shackle Link
6	4	84771-1Z	011-303-00	U-bolt 1/2" x 1.75" x 4.38"
7	8	10645	006-714-00	Nylon Lock Nut 1/2"
8	2	17107Z	012-317-00	Axle Tie Plate
9	2	13099	072-022-00	Leaf Springs

K71-G02-07 (86541) contains the following components:

#	Qty.	TDE Part #	DX Part #	Description
1	2	17144	028-049-00	Front Spring Hanger
2	2	17010	030-020-00	Rear Spring Hanger
3	6	10830	007-612-00	Shackle Bolt 9/16"x3"
4	6	10688	006-727-00	Nylon Lock Nut 9/16"
5	4	17145	018-012-00	Shackle Link
6	4	84434-1Z	011-305-00	U-bolt 1/2" x 2.56" x 5.38"
7	8	10645	006-714-00	Nylon Lock Nut 1/2"
8	2	17107Z	012-317-00	Axle Tie Plate
9	2	13099	072-022-00	Leaf Springs

K71-G02-08 (86546) contains the following components:

#	Qty.	TDE Part #	DX Part #	Description
1	2	17144	028-049-00	Front Spring Hanger
2	2	17010	030-020-00	Rear Spring Hanger
3	6	10830	007-612-00	Shackle Bolt 9/16"x 3"
4	6	10688	006-727-00	Nylon Lock Nut 9/16"
5	4	17145	018-012-00	Shackle Link
6	8	84434-1Z	011-305-00	U-bolt 1/2" x 2.56" x 5.38"
7	8	10645	006-714-00	Nylon Lock Nut 1/2"
8	2	17124Z	012-051-02	Axle Tie Plate
9	2	13074	072-042-00	Leaf Springs
10	2	46210PA	008-528-09	Hub 1750# 5 Stud - E-coated

K71-G02-10 (86543) contains the following components:

#	Qty.	TDE Part #	DX Part #	Description
1	2	17144	028-049-00	Front Spring Hanger
2	2	17010	030-020-00	Rear Spring Hanger
3	6	10830	007-612-00	Shackle Bolt 9/16"x3"
4	6	10688	006-727-00	Nylon Lock Nut 9/16"
5	4	17145	018-012-00	Shackle Link
6	8	84765-1Z	011-307-00	U-bolt 1/2" x 305" x 7"
7	8	10645	006-714-00	Nylon Lock Nut 1/2"
8	2	17107Z	012-317-00	Axle Tie Plate
9	2	13099	072-022-00	Leaf Springs

K71-G02-14 (86548) contains the following components:

#	Qty.	TDE Part #	DX Part #	Description
1	2	17144	028-049-00	Front Spring Hanger
2	2	17010	030-020-00	Rear Spring Hanger
3	6	10830	007-612-00	Shackle Bolt 9/16"x 3"
4	6	10688	006-727-00	Nylon Lock Nut 9/16"
5	4	17145	018-012-00	Shackle Link
6	8	84765-1Z	011-307-00	U-bolt 1/2" x 3.06" x 7"
7	8	10645	006-714-00	Nylon Lock Nut 1/2"
8	2	17114Z	012-327-01	Axle Tie Plate
9	2	13072	072-026-00	Leaf Springs
10	2	46233ECA	008-509-16	Hub 3000#, 6 Stud - E-coated

K71-G02-99 (86520) contains the following components:

#	Qty.	TDE Part #	DX Part #	Description
1	2	17144	028-049-00	Front Spring Hanger
2	2	17010	030-020-00	Rear Spring Hanger
3	6	10830	007-612-00	Shackle Bolt 9/16" x 3"
4	6	10688	006-727-00	Nylon Lock Nut 9/16"
5	4	17145	018-012-00	Shackle Link 3.13"

K71-G03-00 (86530) contains the following components:

#	Qty.	TDE Part #	DX Part #	Description
1	2	17144Z	028-049-05	Front Spring Hanger
2	2	17010Z	030-020-05	Rear Spring Hanger
3	6	10830	007-612-00	Shackle Bolt 9/16" x 3"
4	6	10688	006-727-00	Nylon Lock Nut 9/16"
5	4	17145Z	018-012-05	Shackle Link 3.13"

K71-G03-01 (86531) contains the following components:

#	Qty.	TDE Part #	DX Part #	Description
1	2	44195	073-280-00	Front Spring Hanger
3	6	10830	007-612-00	Shackle Bolt 9/16"x3"
4	6	10688	006-727-00	Nylon Lock Nut 9/16"

K71-G03-02 (86529) contains the following components:

#	Qty.	TDE Part #	DX Part #	Description
1	2	17013	028-121-00	Front Spring Hanger
3	6	10830	007-612-00	Shackle Bolt 9/16"x3"
4	6	10688	006-727-00	Nylon Lock Nut 9/16"