



HEAVY DUTY CATALOG

22,500 - 27,500 LBS. AXLE CAPACITY



Introduction

This information is intended as a guide for the proper specification and application of Dexter Axle running gear, associated components and accessories.

Dexter offers a full line of trailer axles that can be used in many different applications. When specifying any pre-engineered components such as axles, it is the responsibility of the trailer designer to insure compatibility with the vehicle and all of its sub-systems.

Important Information

The information presented is meant to assist trailer manufacturers in the specification of their running gear components. Dexter Axle does not warrant that the information given constitutes an approved trailer design or application. Dynamic loading, travel requirements unique to the trailer design, unusual service conditions, trailer configurations, unequal load distribution, hitch or coupler arrangements and towing vehicle suspension characteristics can significantly affect the performance of any trailer axle and/or suspension systems. It remains the responsibility of the trailer manufacturer to evaluate, specify and test their trailer/running gear combination before production and to certify it as such. While the information presented at the time of this writing is current, it is subject to change as designs and components evolve over time.

Disclaimer of Warranty and Limitation of Liability

All users of this product catalog acknowledge that the information presented is significantly affected by factors within the exclusive knowledge of the user including, among other things, service conditions, trailer configurations, load distributions, hitch and coupler arrangements and tow vehicle suspension characteristics, that the users have independently investigated these factors and have solely relied on those investigations when using this catalog, and that it is the responsibility of the user to adequately specify, evaluate and test its trailer/running gear combinations.

DEXTER AXLE DISCLAIMS ALL WARRANTIES, WHETHER WRITTEN, ORAL OR IMPLIED, IN FACT OR IN LAW (INCLUDING ANY WARRANTY OF MERCHANTABILITY OR FITNESS FOR A PARTICULAR PURPOSE), ASSOCIATED WITH THE USE OF THE CATALOG AND WITH ANY INFORMATION PRESENTED BY THIS CATALOG.

Dexter Axle shall not be liable in damages (whether compensatory, punitive, direct, indirect, special, incidental or consequential) to any user of this catalog under contract, tort, strict liability or any other theory of liability, and any user agrees to indemnify and hold Dexter Axle harmless from any and all claims, actions or other proceedings (including attorney fees and court costs) arising out of the use of this catalog to the extent said claims, actions or other proceedings do not arise out of the sole and exclusive negligence of Dexter Axle.

Load Ratings

The maximum load carrying capacity of any assembly is limited to the lowest load rating of any individual component selected. For instance, the load rating of a pair of wheels may be lower than other axle components selected. If this is the case, the load carrying capacity of the axle assembly is reduced accordingly. As a specific example, if a pair of wheels is rated at 1500 pounds each and is used with other components rated at 4000 pounds per axle, the maximum load capacity is limited to 3000 pounds. If two tires are rated at 1400 pounds each and are used on this assembly, the maximum load carrying capacity is limited to 2800 pounds.

Models and Capacities

22,500-27,500 Lbs.	3
Available Axle Tracks.	3
Brake Performance	3

Hubs and Drums

12 1/4" x 7 1/2" Brake Size	4
10 Stud on 8 3/4" Hubs with Inboard Drums	4
8 Stud on 275mm (10.827") Hubs with Outboard Drums.....	5
3-Spoke Cast Wheels.....	6
16 1/2" x 7" Brake Size	7
10 Stud on 11 1/4" Hubs with Inboard Drums	7
10 Stud on 11 1/4" Hubs with Outboard Drums.....	8
10 Stud on 285.75mm (11.25") Hub Piloted with Outboard Drums	9
5-Spoke Cast Wheels.....	10
Cross Reference	11
Hubs & Drums; Wheels & Drums	11
Bearings, Seals, and Caps	12
Anti-Lock Braking Systems (ABS)	13

Tires & Wheels

Clearances and Dimensions	14
Application Information	15
Determining Maximum Spring Centers.....	15
Tires, Wheels & Rims	16

Axle/Brake Components

12 1/4" x 7 1/2" Brake Size - 'PQ' Style	18
16 1/2" x 7" Brake Size - 'Q' Style.....	20

Tandem Air System

Tandem Air System	22
-------------------------	----

Camshafts

12 1/4" x 7 1/2" Brake Size	23
16 1/2" x 7" Brake Size	24

Air Chambers

Service Air Chambers	25
Spring Brake Air Chambers	26
Tandem Axle Configurations	27

Suspensions

HDSS Underslung.....	29
HDSS Overslung.....	30

Limited Warranty

Dexter Axle Limited Warranty.....	31
-----------------------------------	----

Video Gallery

Dexter Axle Video Gallery	32
---------------------------------	----

Models and Capacities



MODELS AND CAPACITIES: 22,500 – 27,500 LBS.

Model No.	Beam	Brake	Beam Capacity**	
			Highway w/Leaf Springs	Air Ride Suspension
D-2L12	5" Light Wall	12 1/4" x 7 1/2"	22,500 Lbs.	n/a +
D-2M12	5" Medium Wall	12 1/4" x 7 1/2"	25,000 Lbs.	22,500 Lbs.
D-2H12	5" Heavy Wall	12 1/4" x 7 1/2"	27,500 Lbs.	25,000 Lbs.
D-2L16	5" Light Wall	16 1/2" x 7"	22,500 Lbs.	n/a +
D-2M16	5" Medium Wall	16 1/2" x 7"	25,000 Lbs.	22,500 Lbs.
D-2H16	5" Heavy Wall	16 1/2" x 7"	27,500 Lbs.	25,000 Lbs.

** Allowable use of axle capacity ratings (type of service and track/spring center overhang dimension, etc.) and components vary with application.

+ Light wall tube on models D-2L12 and D-2L16 is not approved for axles equipped with air ride suspensions.

Available Axle Tracks

Tracks are available from 48" to 124".

Brake Performance

The following brake models meet or exceed requirements set forth by Federal Motor Vehicle Safety Standards 121 when tested under the following conditions:

Brake Size	Wheel Load *(lbs.)	Rolling Radius (in.)	A.L. Factor (consisting of)
12 1/4" x 7 1/2"	10,000	15.7	Type 30 A/C 6" Slack Adjuster
16 1/2" x 7"	12,500	19.6	Type 30 A/C 6" Slack Adjuster

* Wheel Load per wheel end

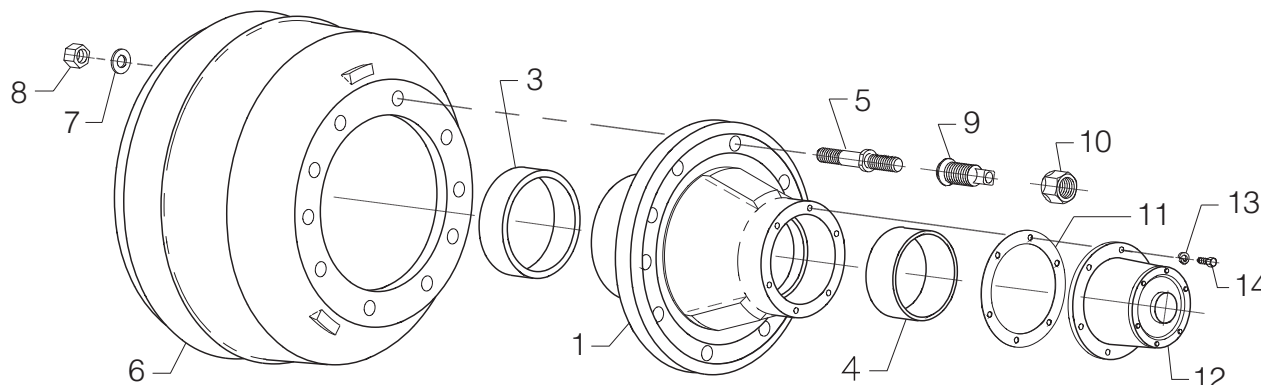
The permitted use of axles and components, including the capacity ratings that are shown, vary with application and type of service. The capacities indicated for tires, wheels and axles should be used for general guidelines only.

Dexter Axle disclaims all warranties, whether written, oral or implied, in fact or in law (including any warranty of merchantability or fitness for a particular purpose), associated with the use of the manual and with any information presented by this manual.

10 Stud on 8 3/4" Hubs With Inboard Drums

HUBS & DRUMS: 12 1/4" X 7 1/2" BRAKE SIZE

For use with 15" or 17.5" ball seat mounted steel disc wheels

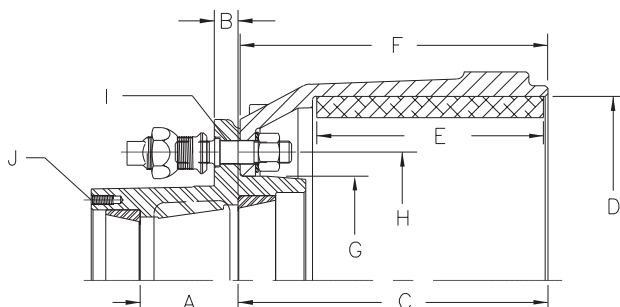


Item	Part No.	Qty	Description	Comments
0	008-277-71	1	LH Assembly Hub & Drum 10 Stud 8 3/4" BC	Use Ball Seat Mtg. Steel Wheels
0	008-277-70	1	RH Assembly Hub & Drum 10 Stud 8 3/4" BC	Use Ball Seat Mtg. Steel Wheels
ns	008-277-29	1	LH Assembly Hub & Drum 10 Stud 8 3/4" BC ABS	Use Ball Seat Mtg. Steel Wheels
ns	008-277-28	1	RH Assembly Hub & Drum 10 Stud 8 3/4" BC ABS	Use Ball Seat Mtg. Steel Wheels
1	008-277-04	1	LH Assembly Hub 10 Stud 8 3/4" BC	Includes Items 3-5
1	008-277-05	1	RH Assembly Hub 10 Stud 8 3/4" BC	Includes Items 3-5
ns	008-277-23	1	LH Assembly Hub 10 Stud 8 3/4" BC ABS	Includes Items 3-5
ns	008-277-22	1	RH Assembly Hub 10 Stud 8 3/4" BC ABS	Includes Items 3-5
ns	024-200-01	1	ABS Tone Ring	Included with ABS Hubs
3	031-026-01	1	Inner Bearing Cup (HM218210)	
4	031-027-01	1	Outer Bearing Cup (HM212011)	
5	025-056-02	10	LH Shoulder Stud	
5	025-056-01	10	RH Shoulder Stud	
6	009-040-01	1	Drum 12 1/4" x 7 1/2"	
7	005-102-00	10	Washer	
8	006-047-00	10	Hex Nut - Drum Mounting	
9	006-069-02	10	LH Inner Cap Nut	For Steel Disc Wheels
9	006-069-01	10	RH Inner Cap Nut	For Steel Disc Wheels
10	006-070-02	10	LH Outer Cap Nut	
10	006-070-01	10	RH Outer Cap Nut	
11	071-124-00	1	Gasket - Oil Cap	
12	021-038-02	1	Oil Cap (with vent plug)	
13	005-100-00	6	Lock Washer - Oil Cap	
14	007-157-00	6	Cap Screw - Oil Cap	

ns - not shown

Hub & Drum Dimensional Information

Item	Description	Dimensions
A	Cup to Cup	3.34"
B	Cup to Mounting Face	.81"
C	Cup to End of Drum	10.57"
D	Brake Diameter	12.25"
E	Shoe Brake Width	7.50"
F	Drum Overall Width	10.50"
G	Pilot Diameter	7.12"
H	Bolt Circle	8.75"
I	Bolt Diameter	3/4"
J	Hub Cap Hole Mtg	5/16"
	6 Holes 5.50 BC	
	Inner Bearing Cup and Cone Overall Stack Thickness	1.575"

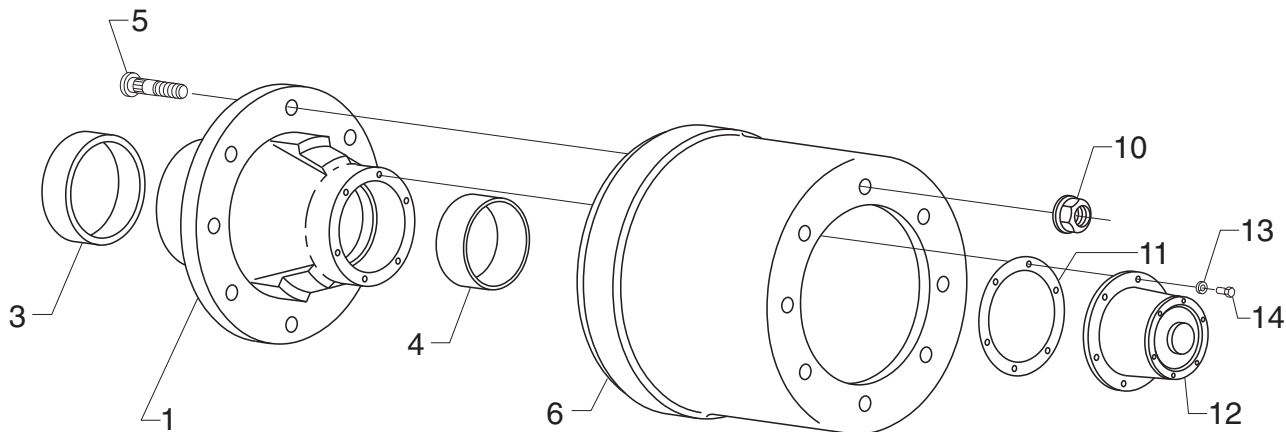


8 Stud on 275mm (10.827") Hubs With Outboard Drums



HUBS & DRUMS: 12 1/4" X 7 1/2" BRAKE SIZE

For use with 17.5" or 19.5" 221mm piloted disc wheels

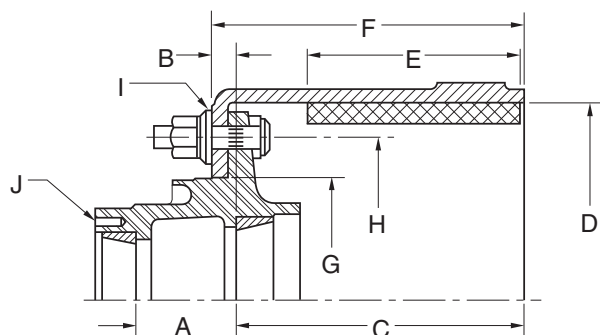


Item	Part No.	Qty	Description	Comments
0	008-396-70	1	Assy Hub & Drum 8 Stud on 275mm BC	Use Pilot Mtg. Steel Wheels
ns	008-396-72	1	Assy Hub & Drum 8 Stud on 275mm BC	Use Pilot Mtg. Aluminum Wheels
ns	008-396-71	1	Assy Hub & Drum 8 Stud on 275mm BC ABS	Use Pilot Mtg. Steel Wheels
ns	008-396-73	1	Assy Hub & Drum 8 Stud on 275mm BC ABS	Use Pilot Mtg. Aluminum Wheels
1	008-396-05	1	Assy Hub 8 Stud on 275mm	Includes Items 3-5 for Steel Wheels
ns	008-396-06	1	Assy Hub 8 Stud on 275mm	Includes Items 3-5 for Aluminum Wheels
ns	008-396-07	1	Assy Hub 8 Stud on 275mm ABS	Included Items 3-5 for Steel Wheels
ns	008-396-08	1	Assy Hub 8 Stud on 275mm ABS	Included Items 3-5 for Aluminum Wheels
ns	024-200-01	1	ABS Tone Ring	Included with ABS Hubs
3	031-026-01	1	Inner Bearing Cup (HM218210)	
4	031-027-01	1	Outer Bearing Cup (HM212011)	
5	007-194-00	8	Stud, Press-In M22 x 1.5	2.47" Stud Length for Steel Wheels
5	007-195-00	8	Stud, Press-In M22 x 1.5	3.32" Stud Length for Aluminum Wheels
6	009-116-01	1	Drum 12 1/4" x 7 1/2"	
10	006-118-00	8	Swivel Flange Nut	
11	071-124-00	1	Gasket - Oil Cap	
12	021-038-02	1	Oil Cap (with vent plug)	
13	005-100-00	6	Lock Washer - Oil Cap	
14	007-157-00	6	Cap Screw - Oil Cap	

ns - not shown

Hub & Drum Dimensional Information

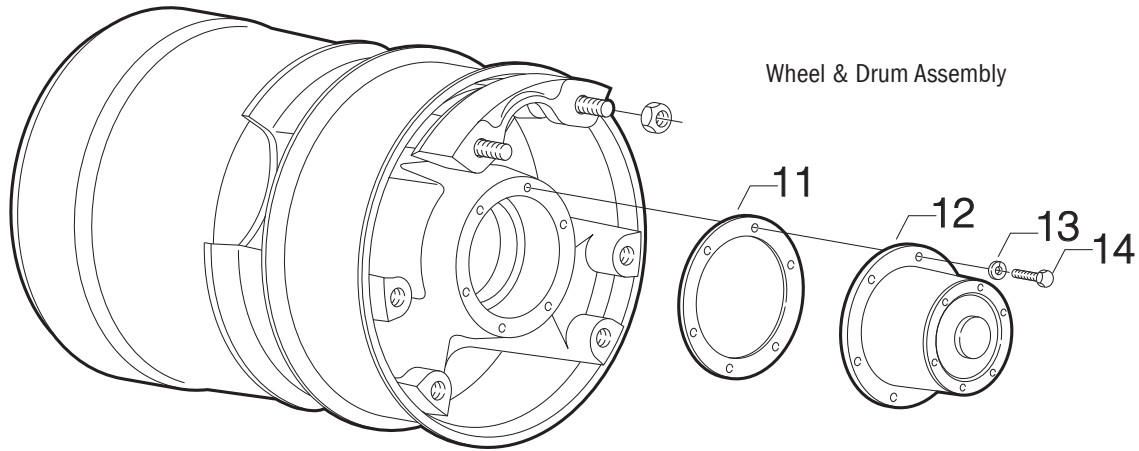
Item	Description	Dimensions
A	Cup to Cup	3.34"
B	Cup to Mounting Face	.75"
C	Cup to End of Drum	10.43"
D	Brake Diameter	12.25"
E	Shoe Brake Width	7.50"
F	Drum Overall Width	11.22"
G	Pilot Diameter (Drum)	9.00"
H	Bolt Circle	275mm (10.827")
I	Bolt Diameter	M22 x 1.5
J	Hub Cap Hole Mtg	5/16"
	6 Holes 5.50 BC	
	Inner Bearing Cup and Cone Overall Stack Thickness	1.575"



3-Spoke Cast Wheels



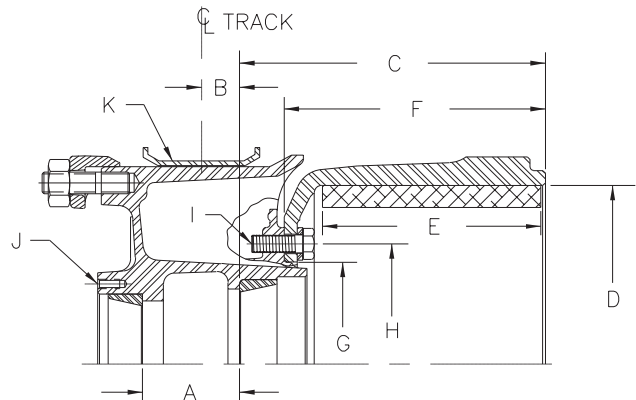
For use with 15" or 17.5" demountable rims



Item	Part No.	Qty	Description
	008-269-76	1	Wheel & Drum Assembly - KIC 001-70003H
	008-269-77	1	ABS Wheel & Drum Assembly - KIC 001-70003TH
11	071-124-00	1	Gasket - Oil Cap
12	021-038-02	1	Oil Cap (with vent plug)
13	005-100-00	6	Lock Washer - Oil Cap
14	007-157-00	6	Cap Screw - Oil Cap

Hub & Drum Dimensional Information

Item	Description	Dimensions
A	Cup to Cup	3.34"
B	Cup to Centerline Track	1.36" (w/4.00" spacer)
C	Cup to End of Drum	10.57"
D	Brake Diameter	12.25"
E	Shoe Brake Width	7.50"
F	Drum Overall Width	9.07"
G	Pilot Diameter	8.50"
H	Bolt Circle	10.00"
I	Bolt Diameter	5/8" (6 holes)
J	Hub Cap Hole Mtg	5/16"
K	Spacer	6 Holes 5.50 BC
	Inner Bearing Cup and Cone Overall Stack Thickness	15" x 4"
		1.575"

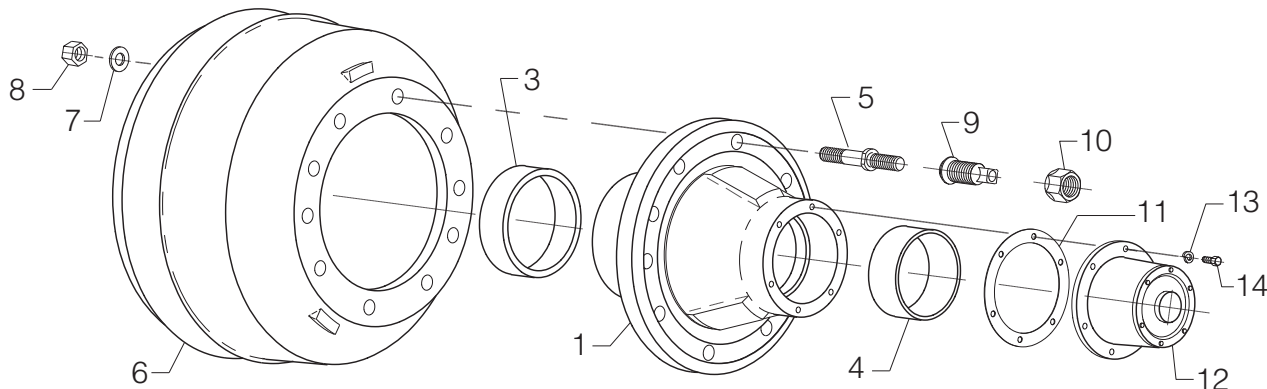


10 Stud on 11 1/4" Hubs With Inboard Drums



HUBS & DRUMS: 16 1/2" X 7" BRAKE SIZE

For use with 20", 22.5" or 24.5" ball seat mounted steel disc wheels

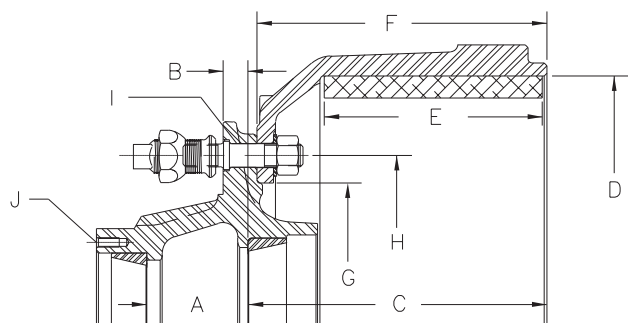


Item	Part No.	Qty	Description	Comments
0	008-279-71	1	LH Assembly Hub & Drum 10 Stud 11 1/4" BC	Use Ball Seat Mtg. Steel Wheels
0	008-279-70	1	RH Assembly Hub & Drum 10 Stud 11 1/4" BC	Use Ball Seat Mtg. Steel Wheels
1	008-279-04	1	LH Assembly Hub 10 Stud 11 1/4" BC	Includes Items 3-5
1	008-279-05	1	RH Assembly Hub 10 Stud 11 1/4" BC	Includes Items 3-5
3	031-026-01	1	Inner Bearing Cup (HM218210)	
4	031-027-01	1	Outer Bearing Cup (HM212011)	
5	025-056-02	10	LH Shoulder Stud	
5	025-056-01	10	RH Shoulder Stud	
6	009-042-01	1	Drum 16 1/2" x 7"	
7	005-102-00	10	Washer	
8	006-047-00	10	Hex Nut - Drum Mounting	
9	006-069-02	10	LH Inner Cap Nut	For Steel Disc Wheels
9	006-069-01	10	RH Inner Cap Nut	For Steel Disc Wheels
10	006-070-02	10	LH Outer Cap Nut	
10	006-070-01	10	RH Outer Cap Nut	
11	071-124-00	1	Gasket - Oil Cap	
12	021-038-02	1	Oil Cap (with vent plug)	
13	005-100-00	6	Lock Washer - Oil Cap	
14	007-157-00	6	Cap Screw - Oil Cap	

ns - not shown

Hub & Drum Dimensional Information

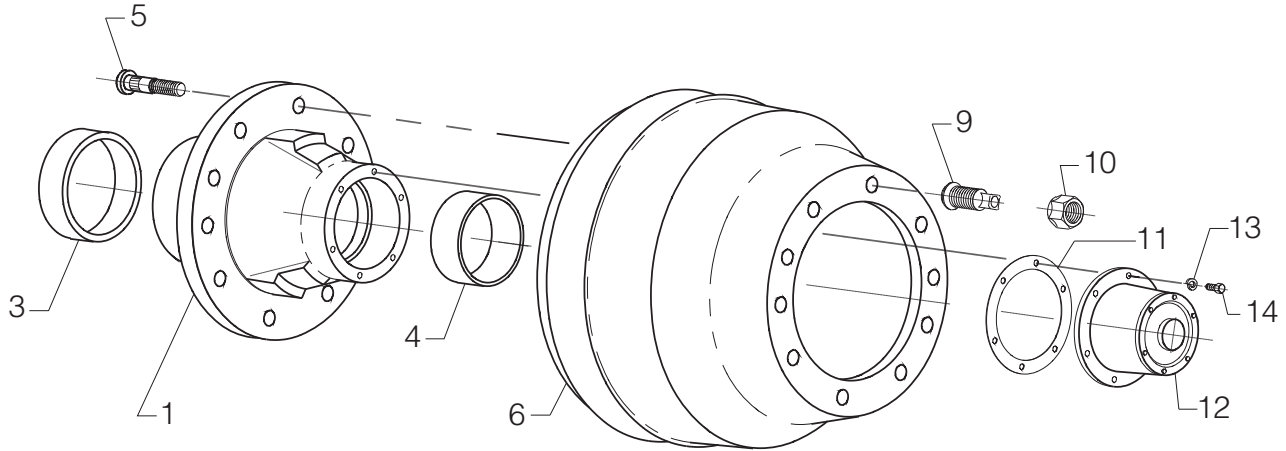
Item	Description	Dimensions
A	Cup to Cup	3.34"
B	Cup to Mounting Face	.81"
C	Cup to End of Drum	9.89"
D	Brake Diameter	16.50"
E	Shoe Brake Width	7.00"
F	Drum Overall Width	9.58"
G	Pilot Diameter	9.44"
H	Bolt Circle	11.25"
I	Bolt Diameter	3/4"
J	Hub Cap Hole Mtg	5/16"
		6 Holes 5.50 BC
	Inner Bearing Cup and Cone Overall Stack Thickness	1.575"



10 Stud on 11 1/4" Hubs With Outboard Drums



For use with 20", 22.5" or 24.5" ball seat mounted steel disc wheels

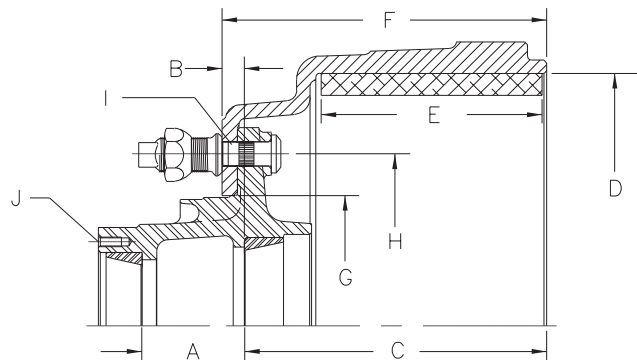


Item	Part No.	Qty	Description	Comments
0	008-290-80	1	LH Assembly Hub & Drum 10 Stud 11 1/4" BC	Use Ball Seat Mtg. Wheels
0	008-290-79	1	RH Assembly Hub & Drum 10 Stud 11 1/4" BC	Use Ball Seat Mtg. Wheels
ns	008-290-82	1	LH Assembly Hub & Drum 10 Stud 11 1/4" BC ABS	Use Ball Seat Mtg. Wheels
ns	008-290-81	1	RH Assembly Hub & Drum 10 Stud 11 1/4" BC ABS	Use Ball Seat Mtg. Wheels
1	008-290-68	1	LH Assembly Hub 10 Stud 11 1/4" BC	Includes Items 3-5
1	008-290-67	1	RH Assembly Hub 10 Stud 11 1/4" BC	Includes Items 3-5
ns	008-290-70	1	LH Assembly Hub 10 Stud 11 1/4" BC ABS	Includes Items 3-5
ns	008-290-69	1	RH Assembly Hub 10 Stud 11 1/4" BC ABS	Includes Items 3-5
ns	024-200-01	1	ABS Tone Ring	Included with ABS Hubs
3	031-026-01	1	Inner Bearing Cup (HM218210)	
4	031-027-01	1	Outer Bearing Cup (HM212011)	
5	007-242-01	10	LH Stud, Press-In	1.38" Stud Stand Out Length
5	007-242-00	10	RH Stud, Press-In	1.38" Stud Stand Out Length
6	009-043-03	1	Drum 16 1/2" x 7"	
9	006-069-02	10	LH Inner Cap Nut	For Steel Disc Wheels
9	006-069-01	10	RH Inner Cap Nut	For Steel Disc Wheels
9	006-124-02	10	LH Inner Cap Nut	For Aluminum Disc Wheels
9	006-124-01	10	RH Inner Cap Nut	For Aluminum Disc Wheels
10	006-070-02	10	LH Outer Cap Nut	
10	006-070-01	10	RH Outer Cap Nut	
11	071-124-00	1	Gasket - Oil Cap	
12	021-038-02	1	Oil Cap (with vent plug)	
13	005-100-00	6	Lock Washer - Oil Cap	
14	007-157-00	6	Cap Screw - Oil Cap	

ns - not shown

Hub & Drum Dimensional Information

Item	Description	Dimensions
A	Cup to Cup	3.34"
B	Cup to Mounting Face	.73"
C	Cup to End of Drum	9.87"
D	Brake Diameter	16.50"
E	Shoe Brake Width	7.00"
F	Drum Overall Width	10.60"
G	Pilot Diameter	8.78"
H	Bolt Circle	11.25"
I	Bolt Diameter	3/4"
J	Hub Cap Hole Mtg	5/16"
Inner Bearing Cup and Cone Overall Stack Thickness		1.575"

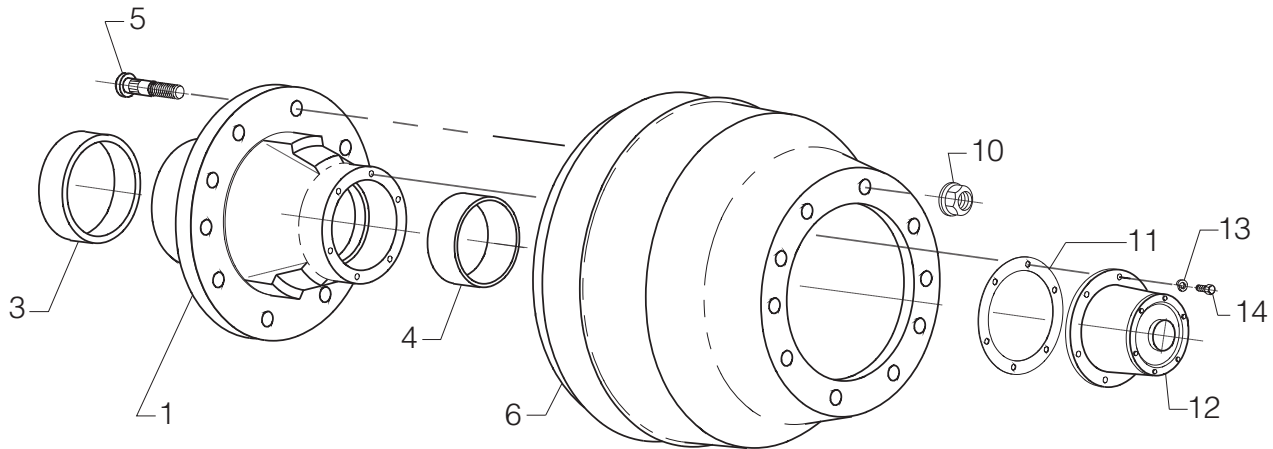


10 Stud on 285.75mm (11.25") Hub Piloted With Outboard Drums



HUBS & DRUMS: 16 1/2" X 7" BRAKE SIZE

For use with 20", 22.5" or 24.5" 220mm piloted disc wheels

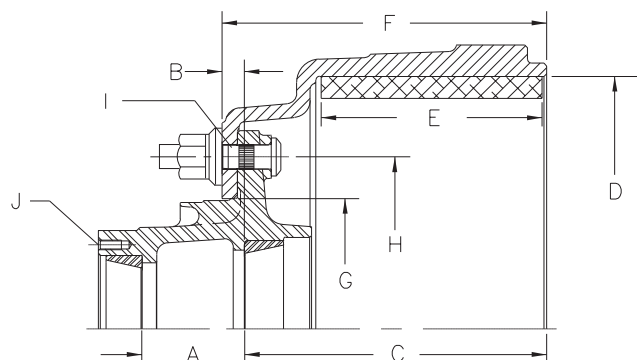


Item	Part No.	Qty	Description	Comments
0	008-290-32	1	Assy Hub & Drum 10 Stud 285.75mm BC	Use Pilot Mtg. Steel Wheels
ns	008-290-34	1	Assy Hub & Drum 10 Stud 285.75mm BC	Use Pilot Mtg. Aluminum Wheels
ns	008-290-33	1	Assy Hub & Drum 10 Stud 285.75mm BC ABS	Use Pilot Mtg. Steel Wheels
ns	008-290-35	1	Assy Hub & Drum 10 Stud 285.75mm BC ABS	Use Pilot Mtg. Aluminum Wheels
1	008-290-13	1	Assy Hub 10 Stud 285.75mm	Includes Items 3-5 for Steel Wheels
ns	008-290-14	1	Assy Hub 10 Stud 285.75mm	Includes Items 3-5 for Aluminum Wheels
ns	008-290-16	1	Assy Hub 10 Stud 285.75mm ABS	Includes Items 3-5 for Steel Wheels
ns	008-290-17	1	Assy Hub 10 Stud 285.75mm ABS	Includes Items 3-5 for Aluminum Wheels
ns	024-200-01	1	ABS Tone Ring	Included with ABS hubs
3	031-026-01	1	Inner Bearing Cup (HM218210)	
4	031-027-01	1	Outer Bearing Cup (HM212011)	
5	007-194-00	10	Stud, Press-In M22 x 1.5	2.47" Stud Length for Steel Wheels
5	007-195-00	10	Stud, Press-In M22 x 1.5	3.32" Stud Length for Aluminum Wheels
6	009-043-03	1	Drum 16 1/2" x 7"	
10	006-118-00	10	Swivel Flange Nut	
11	071-124-00	1	Gasket - Oil Cap	
12	021-038-02	1	Oil Cap (with vent plug)	
13	005-100-00	6	Lock Washer - Oil Cap	
14	007-157-00	6	Cap Screw - Oil Cap	

ns - not shown

Hub & Drum Dimensional Information

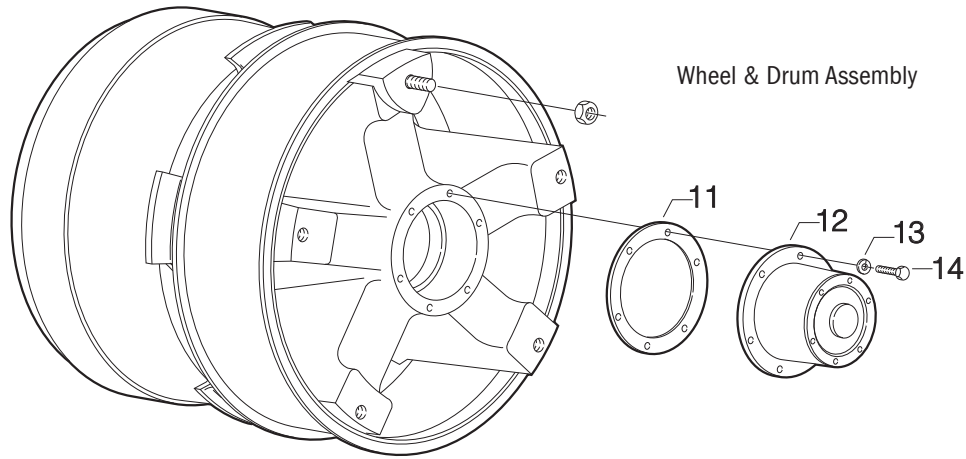
Item	Description	Dimensions
A	Cup to Cup	3.34"
B	Cup to Mounting Face	.73"
C	Cup to End of Drum	9.87"
D	Brake Diameter	16.50"
E	Shoe Brake Width	7.00"
F	Drum Overall Width	10.60"
G	Pilot Diameter (Drum)	8.78"
H	Bolt Circle	285.75mm (11.25")
I	Bolt Diameter	M22 x 1.5
J	Hub Cap Hole Mtg	5/16"
		6 Holes 5.50 BC
Inner Bearing Cup and Cone Overall Stack Thickness		1.575"



5-Spoke Cast Wheels



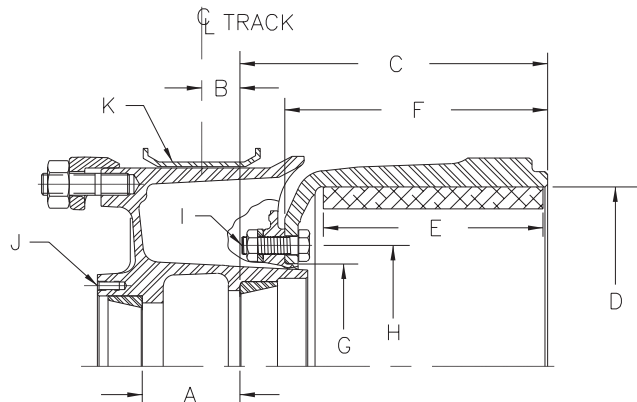
For use with 20" or 22.5" demountable rims



Item	Part No.	Qty	Description
	008-267-76	1	Wheel & Drum Assembly - KIC 001-75207H
	008-267-77	1	ABS Wheel & Drum Assembly - KIC 001-75207TH
11	071-124-00	1	Gasket - Oil Cap
12	021-038-02	1	Oil Cap (with vent plug)
13	005-100-00	6	Lock Washer - Oil Cap
14	007-157-00	6	Cap Screw - Oil Cap

Hub & Drum Dimensional Information

Item	Description	Dimensions
A	Cup to Cup	3.34"
B	Cup to Centerline Track	1.36" (w/4.00" spacer)
C	Cup to End of Drum	9.90"
D	Brake Diameter	16.50"
E	Shoe Brake Width	7.00"
F	Drum Overall Width	8.38"
G	Pilot Diameter	9.44"
H	Bolt Circle	11.00"
I	Bolt Diameter	5/8"
J	Hub Cap Hole Mtg	5/16"
		6 Holes 5.50 BC
K	Spacer	20" x 4"
	Inner Bearing Cup and Cone Overall Stack Thickness	1.575"



Hubs & Drums; Wheels & Drums



HUBS & DRUMS: CROSS REFERENCE

Description	Dexter	Webb	Erie	Dayton Walther	KIC	Gunitite
Assembly 8 on 275mm BC; Outboard 12 1/4" Brake*	008-396-70	20271CW4	n/a	n/a	001-00133	n/a
Assembly 8 on 275mm BC; Outboard 12 1/4" Brake-ABS*	008-396-71	20271CW4T	n/a	n/a	001-00133T	n/a
Assembly 8 on 275mm BC; Outboard 12 1/4" Brake ⁺	008-396-72	20271CW6	n/a	n/a	001-00133L	n/a
Assembly 8 on 275mm BC; Outboard 12 1/4" Brake-ABS ⁺	008-396-73	20271CW6T	n/a	n/a	001-00133LT	n/a
Assembly 10 on 8 3/4" BC RH; Inboard 12 1/4" Brake*	008-277-70	10519CLMR	n/a	n/a	001-10511	n/a
Assembly 10 on 8 3/4" BC RH; Inboard 12 1/4" Brake-ABS*	008-277-28	10519CLMRT	n/a	n/a	001-10511T	n/a
Assembly 10 on 8 3/4" BC LH; Inboard 12 1/4" Brake*	008-277-71	10519CLML	n/a	n/a	001-10512	n/a
Assembly 10 on 8 3/4" BC LH; Inboard 12 1/4" Brake-ABS*	008-277-29	10519CLMLT	n/a	n/a	001-10512T	n/a
Assembly 15" 3-Spoke; 12 1/4" Brake	008-269-xx	70159CCA	950-2700-10	48-14054-054	001-70003H	5785-1
Assembly 15" 3-Spoke; 12 1/4" Brake-ABS	008-269-xx	70159CCAT80	950-2700-10-A	48-15613-056	001-70003TH	5785-2
Assy 10 on 11 1/4" BC RH; 9.44 Pilot Inboard 16 1/2" Brake*	008-279-70	10019 BE_R	704-2760 RH	n/a	n/a	5559-RH1
Assy 10 on 11 1/4" BC LH; 9.44 Pilot Inboard 16 1/2" Brake*	008-279-71	10019 BE_L	704-2760 LH	n/a	n/a	5559-LH1
Assy 10 on 11 1/4" BC RH; 8.78 Pilot Outboard 16 1/2" Brake*	008-290-79	20231UQ_R	Call Erie sales office	n/a	001-00126	n/a
Assy 10 on 11 1/4" BC RH; 8.78 Pilot Outboard 16 1/2" Brake-ABS*	008-290-81	20231UQ_RT	814-452-6431	n/a	001-00126T	n/a
Assy 10 on 11 1/4" BC LH; 8.78 Pilot Outboard 16 1/2" Brake*	008-290-80	20231UQ_L	for assistance.	n/a	001-00127	n/a
Assy 10 on 11 1/4" BC LH; 8.78 Pilot Outboard 16 1/2" Brake-ABS*	008-290-82	20231UQ_LT		n/a	001-00127T	n/a
Assy 10 on 285.75mm BC; 8.78 Pilot Outboard 16 1/2" Brake*	008-290-32	Heavy Duty 20231UQ4 or Extra Hvy 20231UH4	706-2764-5 with 5324 Studs for Steel Wheels	n/a	Heavy Duty 001-00125	n/a
Assy 10 on 285.75mm BC; 8.78 Pilot Outboard 16 1/2" Brake-ABS*	008-290-33	Heavy Duty 20231UQ4T or Extra Hvy 20231UH4T	706-2764-5-A with 5424 Studs for Steel Wheels	n/a	Heavy Duty 001-0125T	n/a
Assy 10 on 285.75mm BC; 8.78 Pilot Outboard 16 1/2" Brake ⁺	008-290-34	Heavy Duty 20231UQ6 or Extra Hvy 20231UH6	706-2764-5-A with 5322 Studs for Aluminum Wheels	n/a	Heavy Duty 001-0125L	n/a
Assy 10 on 285.75mm BC; 8.78 Pilot Outboard 16 1/2" Brake-ABS ⁺	008-290-35	Heavy Duty 20231UQ6T or Extra Hvy 20231UH6T	706-2764-5-A with 5322 Studs for Aluminum Wheels	n/a	Heavy Duty 001-0125LT	n/a
Assembly 20" 5-Spoke; 16 1/2" Brake	008-267-xx	75209GCA	904-2738-1	48-14018-051	001-75207H	5763-1
Assembly 20" 5-Spoke; 16 1/2" Brake-ABS	008-267-xx	75209GCAT	904-2738-1-A	n/a	001-75207TH	5763-2

xx = See Hubs & Drums section for part number that varies with manufacturer.

The following listed part numbers have a drum pilot diameter of 8.53". These are obsolete and are available as service parts only, not to be used for new construction. For new assemblies having 8.78" diameter drum pilot, see the above part numbers 008-290-79; -80; -81; -82.

Description	Dexter	Webb	Erie	Dayton Walther	KIC	Gunitite
Assy 10 on 11 1/4" BC RH; 8.53 Pilot Outboard 16 1/2" Brake*	008-290-20	10209FRMR	705-2764 RH	n/a	n/a	5631-RH1
Assy 10 on 11 1/4" BC RH; 8.53 Pilot Outboard 16 1/2" Brake-ABS*	008-290-57	10209FRMRT	705-2764 RH-A	n/a	n/a	n/a
Assy 10 on 11 1/4" BC LH; 8.53 Pilot Outboard 16 1/2" Brake*	008-290-21	10209FRML	705-2764 LH	n/a	n/a	5631-LH1
Assy 10 on 11 1/4" BC LH; 8.53 Pilot Outboard 16 1/2" Brake-ABS*	008-290-58	10209FRMLT	705-2764 LH-A	n/a	n/a	n/a

Interchange Reference Information

The interchange reference information listed herein is based on the best available information at the time of publication and is to be used as a guide only. Although every care has been taken in order to insure the accuracy of these interchanges, Dexter does not assume any liability for errors, changes, omissions, or for harm resulting therefrom. It is recommended that all parts be thoroughly checked for proper form, fit, and function prior to installation and usage to determine interchangeability.

- * Steel Wheels
- + Aluminum Wheels

Bearings, Seals, and Caps



Type	Description	Dexter Part No.
Bearings	Inner Bearing Cone (HM218248)	031-026-02
	Outer Bearing Cone (HM212049)	031-027-02
Oil Seal Unitized	National B-370025-BGR (Dexter standard)	010-055-01
	Midland Mechanics Barrier 755400	010-055-02
	Stemco Guardian 307-0743	010-055-03
	Stemco 373-0143 Unitized	010-055-04
	Dichtomatik OB4660099	010-055-09
Oil Cap	Stemco 343-4009	021-038-01
	Standard	021-038-02
Grease Cap		021-046-00

Anti-Lock Braking Systems (ABS)



March 1, 1998, the National Highway Traffic Safety Administration (NHTSA) passed a law that required all new trailers with air actuated brakes to have anti-lock braking capability for any vehicle that falls under FMVSS121.

Dexter's D200 series axles are offered with the ABS sensors (all 90° sensors) from the following ABS system manufacturers:

Manufacturer	Dexter PN	Manufacturers PN
Haldex	097-003-00	364094001
Meritor - Wabco	097-007-00	441-032-808-0

It is recommended that the Electronic Control Unit (ECU) purchased for the trailer (not supplied by Dexter Axle) be from the same manufacturer as the sensor.

Information about the various ECU's and other products offered by the manufacturers may be found by contacting the manufacturer or one of their distributors:

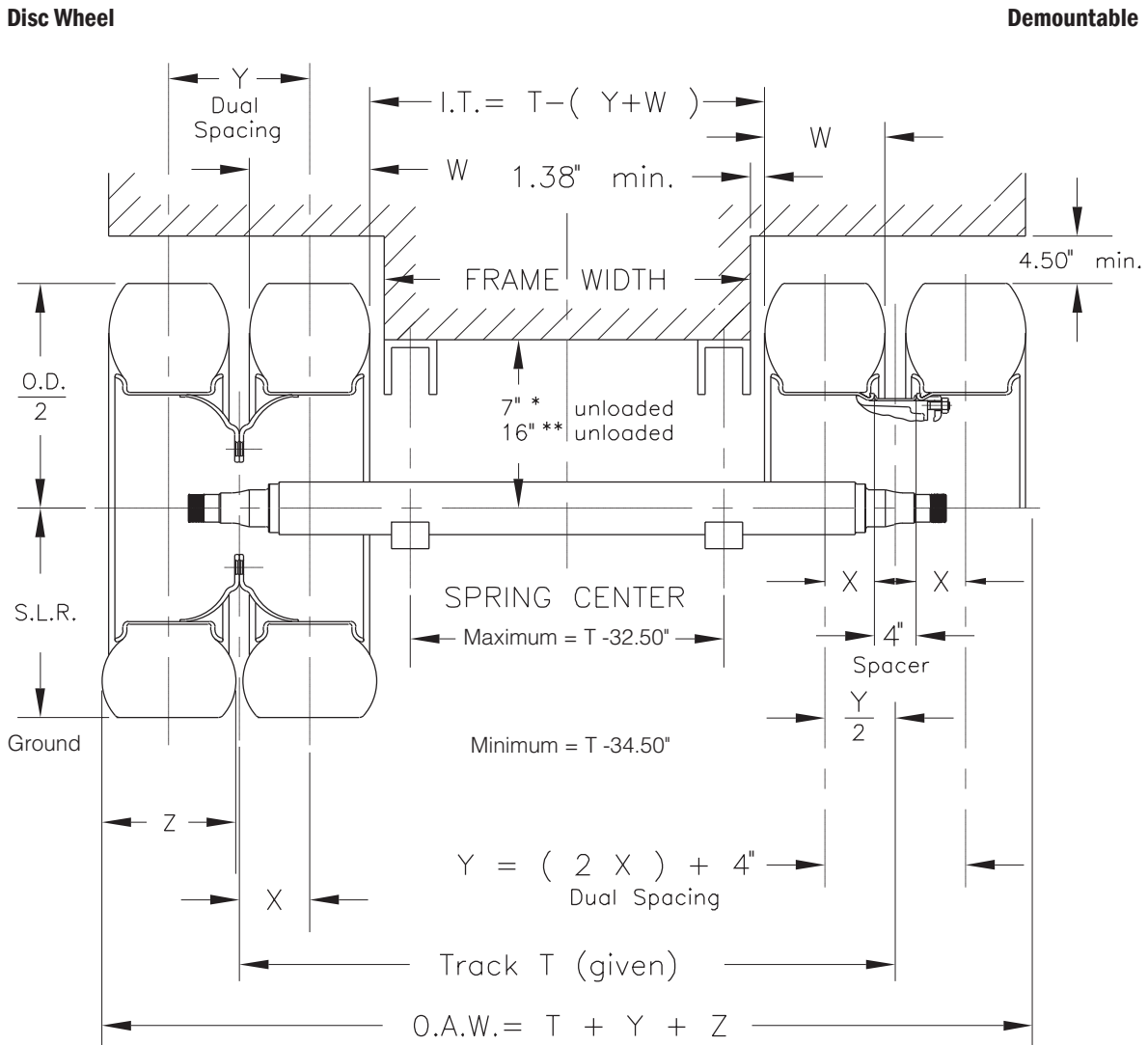
Haldex

10707 NW Airworld Drive
Kansas City, MO 64153
Telephone: (816) 891-2470
Customer Service: (800) 643-2374
www.hbsna.com

Meritor - Wabco

2135 West Maple Road
Troy, MI 48084
Customer Service: (800) 535-5560
www.meritorwabco.com

Spring Center - for absolute maximum refer to calculation procedures.
 (T - 34.50" will satisfy most needs)



* Underslung
 ** Overslung

Using 3/4" seat height and 3 leaf - 354-00 spring (standard Dexter HAP Kits)

Determining Maximum Spring Centers for 22.5K – 27.5K Axles



1. Typical over-the-road 96" wide semi-trailers with leaf spring suspensions are equipped with axles having 71" or 71 1/2" axle track and either 38" or 39" spring centers. 102" wide trailers use axles having 77" or 77 1/2" axle track and either 44" or 45" spring centers.
 2. Axle track should be the widest possible with the overall width of the outer dual tires not exceeding the maximum trailer width of either 96" or 102" as specified by law. Verify with State and Federal laws for the type of roads the trailer is traveling.
 3. Spring centers should be placed as wide as possible to aid in resisting trailer rolling movement - side-to-side sway. Maximum spring center is governed by either the distance between drums or the distance between the inner dual tires of a given axle. Spring centers less than the minimum specified will reduce axle carrying capacity.
 4. Begin by selecting appropriate dual tire capacity and rim or wheel capacity to adequately haul the load for which the trailer was designed.
5. Obtain the tire width dimension for the tires previously selected. Dimensions shown in this catalog may vary from manufacturer to manufacturer. Check your tire manufacturer's latest tire catalog to be sure of the dimensions.
 - A. **For Demountable Rims.** From the "Tires" section, obtain the W dimension (width of your selected tire) and the Y dimension (dual rim spacing of appropriate rims for your selected tire) and add them together. Subtract this number from your track dimension to obtain the dimension between the inner dual tire set.
 - B. **For Disc Wheels.** From the "Wheels & Rims" section, obtain the W dimension (width of your selected
 6. Compare these two calculated numbers – Factor 1 and Factor 2 – and select the smallest (narrowest) of the two.
 7. Subtract 2.75 from the above selected smallest number. This should be your outside to outside widest frame width for your given track. The minimum frame clearance per side is 1.375, then is multiplied by 2 to get 2.75.
 8. Determine the width of your suspension system hangers, typically 6.00 inches for H-9700 Hutch suspension. If other than Hutch H-9700 are used, determine the location of your selected suspension system's hangers and where they are to be positioned laterally on the trailer frame member. Consult the manufacturer of your suspension system if the location is not detailed in their catalog. Determine the distance from frame width to centerline of suspension attachment to the axle beam tube relative to this hanger position.
 9. Subtract this number from outside frame width to obtain the maximum spring center allowed.

Factor 1 - Distance between drums

- A. Determine the hub group required to mate with the tires, rims or wheels previously selected.
- B. From the hub group section of this catalog, locate the proper hub & drum or wheel & drum.
- C. **For Demountable Rims.** Obtain the B and C dimensions for your selected hub group in this catalog, add them together, then multiply by 2. Subtract this number from your track dimension to obtain the dimension between drums.
- D. **For Disc Wheels.** Obtain the B and C dimensions for your selected hub group in this catalog. Next, determine the wheel's disc thickness at the mounting area. Add these three figures together, then multiply by 2. Subtract this number from your track dimension to obtain the dimension between drums.

Factor 2 - Distance between inner tires

5. Obtain the tire width dimension for the tires previously selected. Dimensions shown in this catalog may vary from manufacturer to manufacturer. Check your tire manufacturer's latest tire catalog to be sure of the dimensions.
 - A. **For Demountable Rims.** From the "Tires" section, obtain the W dimension (width of your selected tire) and the Y dimension (dual rim spacing of appropriate rims for your selected tire) and add them together. Subtract this number from your track dimension to obtain the dimension between the inner dual tire set.
 - B. **For Disc Wheels.** From the "Wheels & Rims" section, obtain the W dimension (width of your selected

Brake Size	Tire Size (Load Range)	Design Rim Width	**Dual Tire Capacity per Tire (lbs.)	Max Inflation P.S.I	O.D.*	Tire Width W	Loaded Section Width Z	S.L.R.*	Min. Dual Spacing
12 1/4"	10R17.5 (H)	6.75HC	4410	115	33.7	9.4	10.4	15.6	10.9
12 1/4"	215/75R17.5 (H)	6.75HC	4540	125	30.6	8.4	9.3	14	9.6
12 1/4"	235/75R17.5 (H)	6.75HC	5675	125	31.8	9.2	10.1	14.5	10.3
12 1/4"	245/70R19.5 (G)	6.75	4375	100	33.0	10.2	11.0	15.3	11.0
12 1/4"	265/70R19.5 (G)	6.75	5070	120	34.0	10.3	11.2	15.9	11.6
16 1/2"	255/70R22.5 (H)	7.50	5070	115	36.6	9.8	10.6	17.1	11.3
16 1/2"	295/75R22.5 (G)	8.25	5675	100	40.2	11.2	12.2	18.8	11.2
16 1/2"	11R22.5 (G)	8.25	5750	105	41.5	10.8	11.9	19.4	12.5
16 1/2"	11R22.5 (H)	8.25	5800	110	41.5	10.8	11.9	19.4	12.5
16 1/2"	11R24.5 (G)	8.25	6000	105	43.5	10.8	11.9	20.4	12.5
16 1/2"	11R24.5 (H)	8.25	6170	110	43.5	10.8	11.9	20.4	12.5

* Dimensions shown may vary slightly from manufacturer to manufacturer

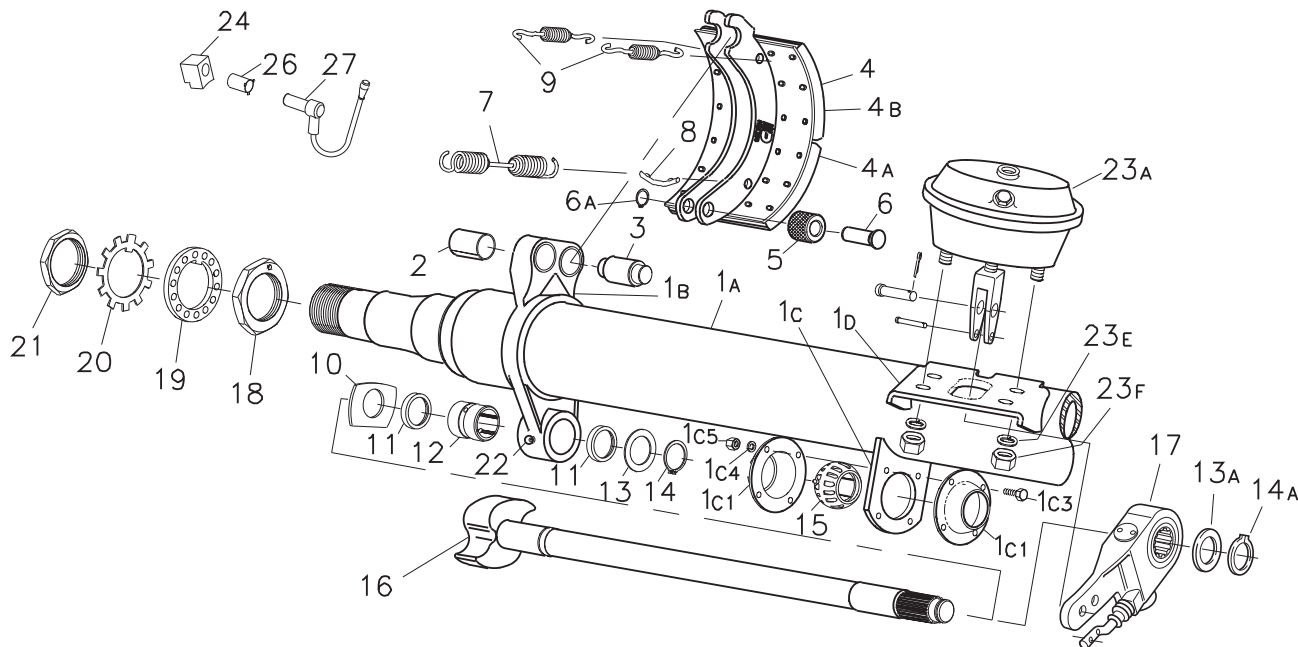
** Dual Rating

Rim Contour	Description	Wheel/Rim Capacity Each (lbs.)	Max. Inflation (P.S.I.)	Mtg. Hole Pattern	Wheel Center Disc Thickness	Offset X	Dual Spacing Y
17.5 x 6.75 HC	Rim	4805	125	Demountable 4" Spacer	n/a	3.90"	11.80"
17.5 x 6.75 HC	Steel Wheel	5070	125	10 Hole 8.75" BC 6.50" Bore Ball Seat	.42"	6.19"	12.38"
17.5 x 6.75 HC	Steel Wheel	5355	125	8 Hole 275mm BC 221mm Bore Pilot Mounting	.437"	5.60"	11.20"
19.5 x 6.75 RW	Steel Wheel	5000	120	8 Hole 275mm BC 221mm Bore Pilot Mounting	.437"	5.60"	11.2"
22.5 x 7.50	Steel Wheel	6610	120	10 Hole 11 1/4" BC 8.72" Bore Ball Seat	.437"	6.44"	12.88"
22.5 x 8.25	Steel Wheel	7400	120	10 Hole 11 1/4" BC 8.72" Bore Ball Seat	.437"	6.62"	13.25"
22.5 x 8.25	Steel Wheel	7400	120	10 Hole 285.75mm BC 220mm Bore Pilot Mounting	.437"	6.62"	13.25"
24.5 x 8.25	Steel Wheel	7300	120	10 Hole 285.75mm BC 220mm Bore Pilot Mounting	.437"	6.62"	13.25"

Axle/Brake Components

AXLE/BRAKE COMPONENTS: 12 1/4" X 7 1/2" BRAKE SIZE

'PQ' Style



Brake Shoe Hardware Kit

K71-460-00

Fits "PQ" style Dexter 10-27K 12 1/4" air brake axles. For one brake.

DX Part No.	Quantity	Part Description
005-076-00	2	Washer
014-057-00	2	Roller
014-068-00	2	Bushing
046-092-00	1	Retractor Spring
046-097-00	2	Shoe Keeper Spring
056-010-00	2	Roller Pin
056-017-00	2	Anchor Pin
056-018-00	2	Retainer Pin
069-018-00	2	Snap Ring for .750 Shaft
059-553-00	1	Instruction Sheet

Brake Block Kit

K71-133-00

For one Dexter 12 1/4"x 7 1/2" brake.

DX Part No.	Quantity	Part Description
022-018-00	48	Rivet
041-057-01	2	Brake Block
041-060-01	2	Brake Block
059-191-00	1	Instruction sheet

ns - not shown

Camshaft Repair Kit

K71-101-00

Fits "P" and "PQ" style Dexter 10K, 12K, 15K, and 12 1/4" x 7 1/2" air brake axles. For one brake.

DX Part No.	Quantity	Part Description
005-074-00	1	'D' Washer Camshaft
005-075-00	2	Camshaft Washer
005-134-00	1	Plain Washer
010-052-00	2	Seal
014-056-00	1	Camshaft Bushing
014-058-00	1	Camshaft Support Bushing
061-006-00	1	Grease Fitting
069-020-00	2	Camshaft Retainer
069-078-00	1	Snap Ring
059-663-00	1	Instruction Sheet

Axle beams are produced using the latest in friction welding technology.

Axle/Brake Components



AXLE/BRAKE COMPONENTS: 12 1/4" X 7 1/2" BRAKE SIZE

'PQ' Style

Item	Part No.	Qty per Axle	Description	Comments
1A	D-2L12	1	Beam Options	Light Wall 22,500# Rating
	D-2M12	1	Beam Options	Medium Wall 25,000# Rating; with Air Ride 22,500#
	D-2H12	1	Beam Options	Heavy Wall, 27,500# Rating; with Air Ride 25,000#
1B*	036-114-02	2	Spider (using anchor pin bushing)	Weld on (includes #2)
1C	034-031-00	2	Bracket - Camshaft Support	Weld-on
1C1	034-032-00	4	Retainer Plate	
1C3	007-139-00	8	Bolt - Retainer Plate Attachment	
1C4	005-079-00	8	Lock Washer - Cover Attachment	
1C5	006-099-00	8	Nut - Retainer Plate Attachment	
1D	034-048-00	2	Bracket - Air chamber Mounting	Weld-on Standard
2	014-068-00	4	Bushing - Spider Anchor Pin	
3	056-017-00	4	Anchor Pin	
4	040-320-01	4	Shoe and Lining Assembly	Friction Code FF
4A	041-060-01	4	Lining - Brake Block Cam	(FMSI 4591 D)
4B	041-057-01	4	Lining - Brake Block Anchor	(FMSI 4591 D)
5	014-057-00	4	Roller	
6	056-010-00	4	Retainer - Roller Pin	
6A	069-018-00	4	Retainer Ring	
7	046-092-00	2	Spring - Shoe Retractor	Blue color
8	056-018-00	4	Retainer Pin - Retractor Spring	
9	046-097-00	4	Spring - Shoe Keeper	Orange Color
10	005-074-00	2	'D' Washer - Camshaft	.06 thick
11	010-052-00	4	Grease Seal	
12	014-056-00	2	Bushing - Camshaft Spider	Nylon
13	005-075-00	1	Washer	
13A	005-134-00	2	Washer - Camshaft Slack Adjuster End	For 28-spline Camshafts only
14	069-020-00	2	Snap Ring	
14A	069-078-00	2	Retainer - Camshaft Slack Adjuster End	For 28-spline Camshafts only
15	014-058-00	2	Bushing - Camshaft Support	Nylon
16	034-xxx-xx	2	Camshaft LH/RH	See Camshaft section for options
ns	055-039-00	2	Slack Adjuster - Manual	1.46 x 28-spline
17	055-040-99	2	Slack Adjuster Angled Automatic 1.46 x 28-spline 6" arm	Boxed kit includes clevis, pins, gage, and instructions
18	006-114-00	2	Nut - Inner Spindle Bearing	
19	005-098-00	2	Lock Washer - Indexing	
20	005-099-00	2	Lock Washer - Tab	
21	006-115-00	2	Nut - Outer Spindle	
22	061-006-00	2	Grease Fitting 65°	
23A	034-xxx-xx	2	Air Chamber Assembly (includes item 23E, 23F)	See Air Chamber section for options
ns	055-057-00	2	Clevis for manual slacks only	Clevis, Clevis Pin & Cotter Pin for Manual Slacks
23E		4	Lock Washer - Air chamber Mounting (included in item 23A)	
23F		4	Nut - Air Chamber Mounting (included in item 23A)	
24	024-100-00	2	Sensor block	
26	097-002-00	2	Retainer Clip	
27	097-003-00	2	ABS Sensor, 90°	Haldex
	097-007-00	2	ABS Sensor, 90°	Meritor - Wabco

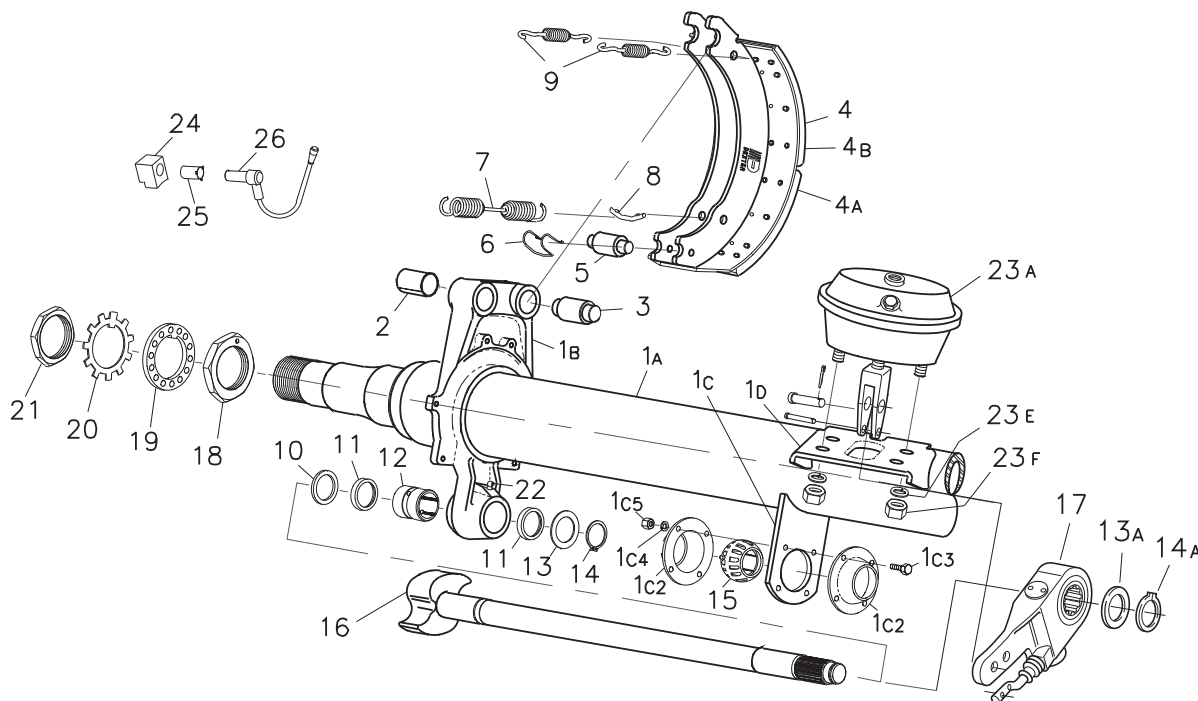
* Not for individual resale

xx - See Camshaft section for part number that varies by length

Axle/Brake Components

AXLE/BRAKE COMPONENTS: 16 1/2" X 7" BRAKE SIZE

'Q' Style



Brake Shoe Hardware Kit

K71-136-00

Fits "Q" quick change Dexter 16 1/2" x 7" air brake axles. For one brake.

DX Part No.	Quantity	Part Description
014-065-00	2	Roller
014-068-00	2	Spider Bushing
046-096-00	1	Retractor Spring 16 1/2" Brake-Orange
046-097-00	2	Keeper Spring
056-017-00	2	Anchor Pin
056-018-00	2	Spring Retainer
071-122-00	2	Roller Retainer
059-554-00	1	Instruction Sheet

Brake Block Kit

K71-138-00

For one Dexter 16 1/2"x 7" air brake.

DX Part No.	Quantity	Part Description
022-018-00	48	Rivet
041-058-01	2	Brake Block
041-059-01	2	Brake Block
059-191-00	1	Instruction sheet

ns - not shown

Camshaft Repair Kit

K71-135-00

Fits all "Q" quick change Dexter 16 1/2" x 7" air brake axles. For one brake.

DX Part No.	Quantity	Part Description
005-096-00	1	Camshaft Washer
005-097-00	2	Camshaft Washer
005-134-00	1	Plain Washer
010-052-00	2	Seal
014-056-00	1	Camshaft Bushing
014-058-00	1	Camshaft Support Bushing
061-006-00	1	Grease Fitting
069-020-00	2	Camshaft Retainer
069-078-00	1	Snap Ring
059-554-00	1	Instruction Sheet

Axle beams are produced using the latest in friction welding technology.

Axle/Brake Components



AXLE/BRAKE COMPONENTS: 16 1/2" X 7" BRAKE SIZE

'Q' Style

Item	Part No.	Qty per Axle	Description	Comments
1A	D-2L16	1	Beam Options	Light Wall 22,500# Rating
	D-2M16	1	Beam Options	Medium Wall 25,000# Rating; with Air Ride 22,500#
	D-2H16	1	Beam Options	Heavy Wall, 27,500# Rating; with Air Ride 25,000#
1B*	036-092-04	2	Spider	Weld on (includes #2)
1C	034-047-04	2	Bracket - Camshaft Support	Weld-on
1C2	034-032-00	4	Retainer Plate	
1C3	007-139-00	8	Bolt - Retainer Plate Attachment	
1C4	005-079-00	8	Lock Washer - Cover Attachment	
1C5	006-099-00	8	Nut - Retainer Plate Attachment	
1D	034-048-00	2	Bracket - Air chamber Mounting	Weld-on Standard
2	014-068-00	4	Bushing - Spider Anchor Pin	
3	056-017-00	4	Anchor Pin	
4	040-180-00	4	Shoe and Lining Assembly	Friction Code FF
4A	041-058-01	4	Lining - Brake Block Cam	(FMSI 4515 D)
4B	041-059-01	4	Lining - Brake Block Anchor	(FMSI 4515 D)
5	014-065-00	4	Roller	
6	071-122-00	4	Retainer - Roller	
7	046-096-00	2	Spring - Shoe Retractor	Orange Color
8	056-018-00	4	Retainer Pin - Retractor Spring	
9	046-097-00	4	Spring - Shoe Keeper	Orange Color
10	005-096-00	2	Washer - Camshaft	.120 thick
11	010-052-00	4	Grease Seal	
12	014-056-00	2	Bushing - Camshaft Spider	Nylon
13	005-097-00	2	Washer	
13A	005-134-00	2	Washer - Camshaft Slack Adjuster End	For 28-spline Camshafts only
14	069-020-00	2	Snap Ring	
14A	069-078-00	2	Retainer - Camshaft Slack Adjuster End	For 28-spline Camshafts only
15	014-058-00	2	Bushing - Camshaft Support	Nylon
16	034-xxx-xx	2	Camshaft LH/RH	See Camshaft section for options
ns	055-039-00	2	Slack Adjuster - Manual	1.46 x 28-spline
17	055-040-98	2	Slack Adjuster Straight Automatic 1.46 x 28-spline 6" arm	Boxed kit includes clevis, pins, gage, and instructions
18	006-114-00	2	Nut - Inner Spindle Bearing	
19	005-098-00	2	Lock Washer - Indexing	
20	005-099-00	2	Lock Washer - Tab	
21	006-115-00	2	Nut - Outer Spindle	
22	061-006-00	2	Grease Fitting 65°	
23A	034-xxx-xx	2	Air chamber Assembly (includes item 23E, 23F)	See Air Chamber section for options
ns	055-057-00	2	Clevis for manual slacks only	Clevis, Clevis Pin & Cotter Pin for Manual Slacks
23E		4	Lock Washer - Air chamber Mounting (included in item 23A)	
23F		4	Nut - Air Chamber Mounting (included in item 23A)	
24	024-100-00	2	Sensor block	
25	097-002-00	2	Retainer Clip	
26	097-003-00	2	ABS Sensor, 90°	Haldex
	097-007-00	2	ABS Sensor, 90°	Meritor - Wabco

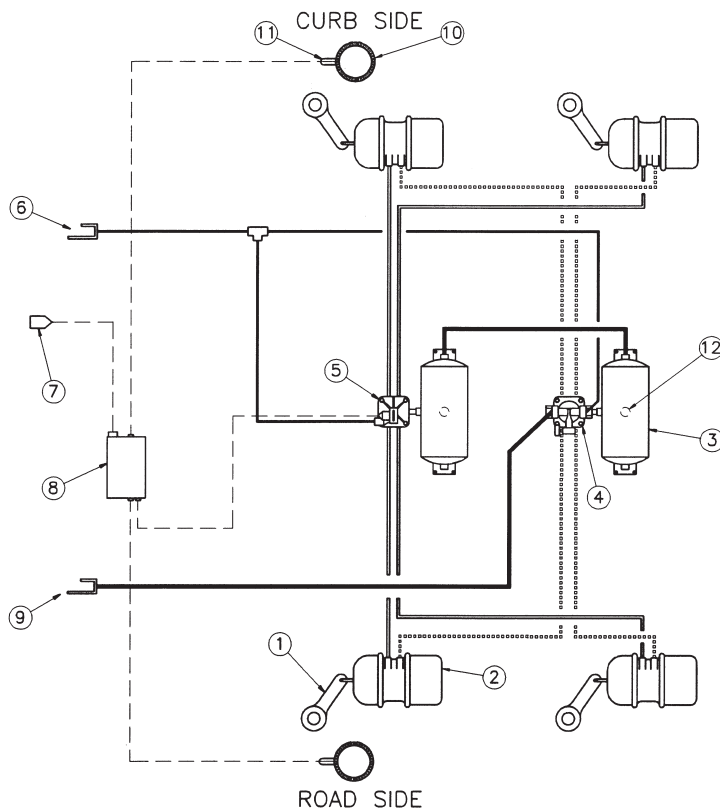
* Not for individual resale

xx - See Camshaft section for part number that varies by length

Tandem Air System

Two Reservoir - Two Valve System

TANDEM AIR SYSTEM



NOTE: ITEMS 10 AND 11 SHOULD BE PLACED ON THE AXLES WITH THE GREATEST LIKELIHOOD OF WHEEL LOCK.

——— SUPPLY----- (1/2 OD)
 - - - - - CONTROL----- (3/8 OD)
 DELIVERY----- (1/2 ID)
 - . - . - . PARK----- (1/2 ID)
 --- WIRING HARNESS

AIR BRAKE COMPONENTS AND SYSTEM SCHEMATIC ARE DESIGNED TO ALLOW COMPLIANCE WITH FMVSS 121 DOCKET 90-3.

THIS SCHEMATIC IS FOR INFORMATIONAL PURPOSES ONLY. IT IS THE VEHICLE MANUFACTURERS ULTIMATE RESPONSIBILITY TO CERTIFY THEIR SYSTEM MEETS ALL APPLICABLE REGULATIONS.

PIPE NIPPLES USED TO MOUNT BRAKE VALVES MUST BE HEAVY WALL TYPE PER SAE J514.

ITEM	DESCRIPTION	QTY.
1	SLACK ADJUSTER	4
2	SPRING BRAKE	4
3	RESERVOIR	2
4	RT4 VALVE 70 PSI	1
5	ABS VALVE	1
6	GLADHAND SERVICE/CONTROL	1
7	7-WAY CONNECTOR	1
8	ECU	1
9	GLADHAND EMERGENCY/SUPPLY	1
10	EXCITER RING	2
11	SENSOR	2
12	DRAIN COCK	2

TANDEM AXLE INSTALLATION SYSTEM FOR HALDEX MODEL 2S / 1M

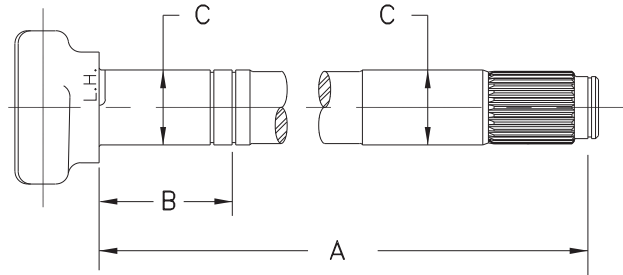
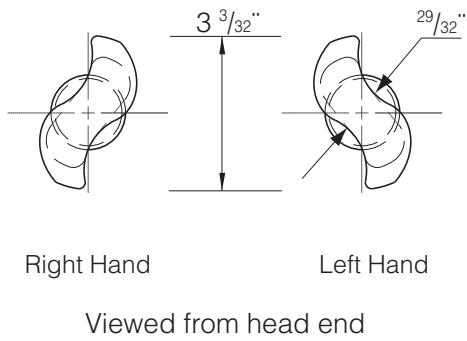
Note: This schematic is for reference only. If your system is configured differently or you have a different supplier's part numbers, consult with the authorized supplier for proper use, location and installation of your components.

Small S Head Hi-Rise

28 Spline

Part Number		A	B	C
LH	RH			
034-188-00	034-189-00	21.125	2.219	For 1.50 diameter shaft*
034-188-01	034-189-01	16.375	2.219	For 1.50 diameter shaft*
034-188-03	034-189-03	22.312	2.219	For 1.50 diameter shaft*
034-188-04	034-189-04	20.312	2.219	For 1.50 diameter shaft
034-188-05	034-189-05	23.375	2.219	For 1.50 diameter shaft
034-188-06	034-189-06	30.000	2.219	For 1.50 diameter shaft
034-188-07	034-189-07	29.000	2.219	For 1.50 diameter shaft
034-188-08	034-189-08	19.500	2.219	For 1.50 diameter shaft
034-188-09	034-189-09	26.500	2.219	For 1.50 diameter shaft
034-188-10	034-189-10	7.437	2.219	For 1.50 diameter shaft
034-188-11	034-189-11	24.625	2.219	For 1.50 diameter shaft

* No extra charge for these lengths



S Head Camshafts

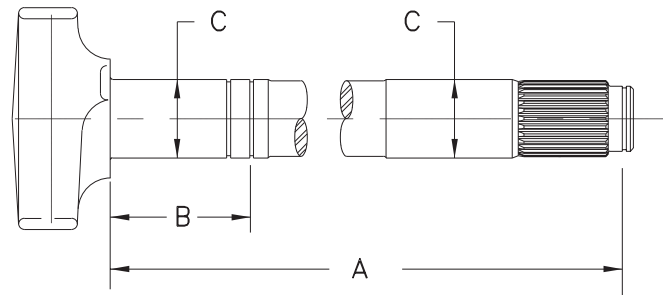
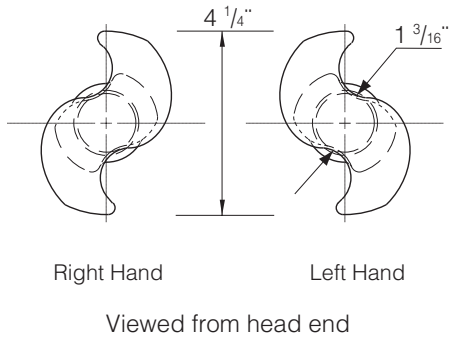


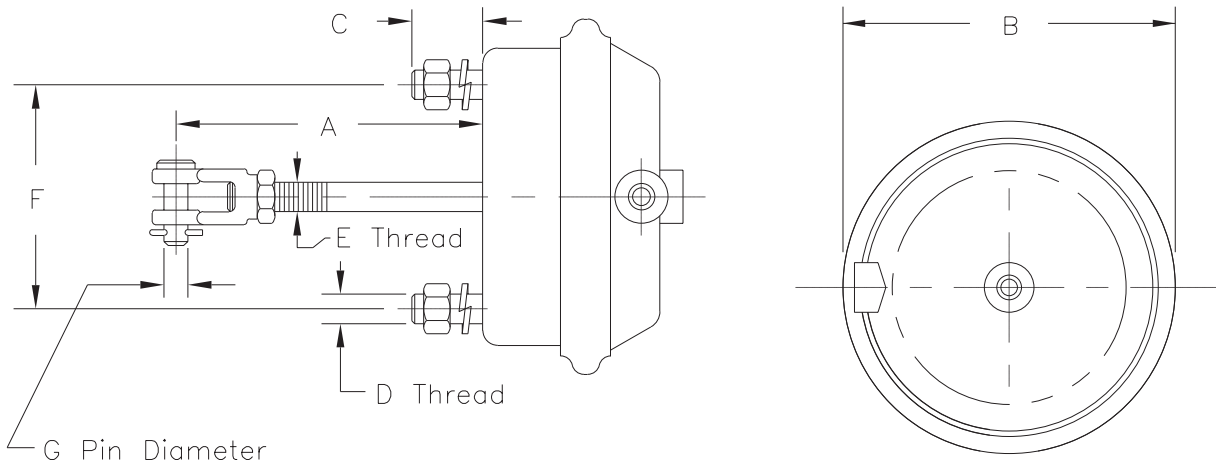
Large S Head Hi-Rise

28 Spline

Part Number		A	B	C
LH	RH			
034-192-00	034-193-00	16.625	2.219	For 1.50 diameter shaft*
034-192-01	034-193-01	20.375	2.219	For 1.50 diameter shaft
034-192-02	034-193-02	30.000	2.219	For 1.50 diameter shaft
034-192-03	034-193-03	23.438	2.219	For 1.50 diameter shaft*
034-192-04	034-193-04	26.500	2.219	For 1.50 diameter shaft
034-192-05	034-193-05	22.625	2.219	For 1.50 diameter shaft
034-192-06	034-193-06	19.500	2.219	For 1.50 diameter shaft
034-192-07	034-193-07	29.000	2.219	For 1.50 diameter shaft
034-192-08	034-193-08	25.000	2.219	For 1.50 diameter shaft
034-192-09	034-193-09	28.000	2.219	For 1.50 diameter shaft
034-192-10	034-193-10	24.375	2.219	For 1.50 diameter shaft
034-192-11	034-193-11	7.438	2.219	For 1.50 diameter shaft

* No extra charge for these lengths

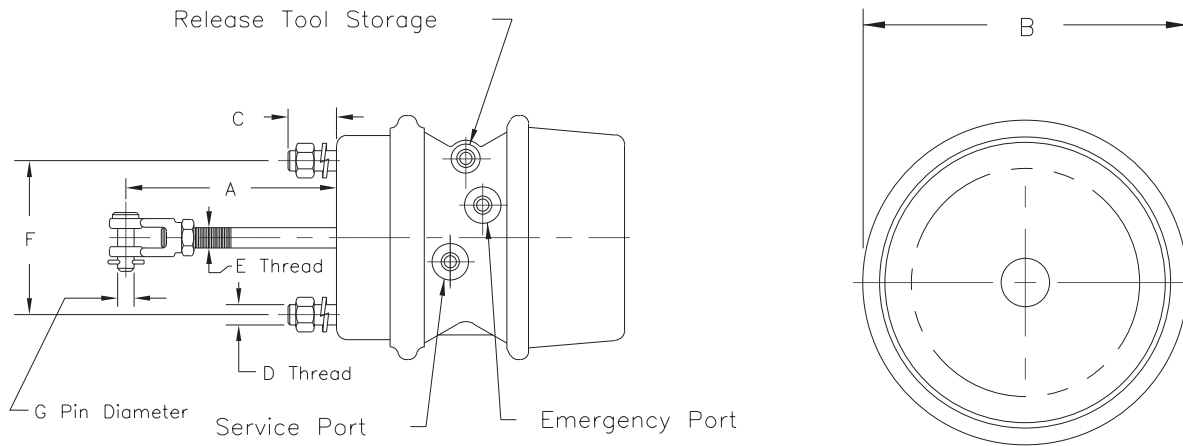




Part Number	Size	A	B	C	D	E	F	G	Recommended Application
034-260-07	Type 20	5.62	7.00	1.25	5/8-11	5/8-18	4.75	.50	12 1/4" Brake with Tramec Angled Automatic Slack
034-260-08	Type 20	6.38	7.00	1.25	5/8-11	5/8-18	4.75	.50	12 1/4" Brake with Straight Manual Slack
034-059-01	Type 24	7.00	7.50	1.25	5/8-11	5/8-18	4.75	.50	Optional 16 1/2" Brake
034-059-07	Type 24	5.62	7.50	1.25	5/8-11	5/8-18	4.75	.50	12 1/4" Brake with Tramec Angled Automatic Slack
034-059-08	Type 24	6.38	7.50	1.25	5/8-11	5/8-18	4.75	.50	12 1/4" Brake with Straight Manual Slack
034-057-01	Type 30	7.00	8.50	1.25	5/8-11	5/8-18	4.75	.50	Standard 16 1/2" Brake
034-057-07	Type 30	5.62	8.50	1.25	5/8-11	5/8-18	4.75	.50	12 1/4" Brake with Tramec Angled Automatic Slack
034-057-08	Type 30	6.38	8.50	1.25	5/8-11	5/8-18	4.75	.50	12 1/4" Brake with Straight Manual Slack

Note: Clevis assembly NOT included with air chamber. See brake section for Clevis kits.

Spring Brake Air Chambers



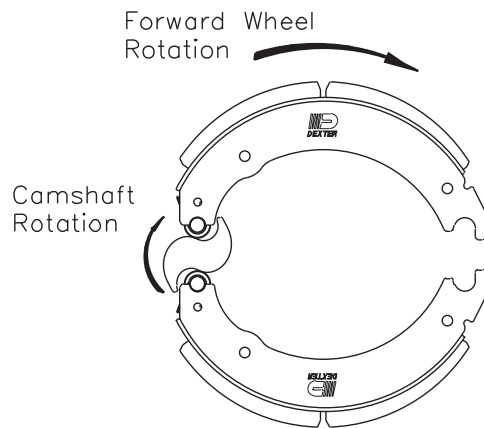
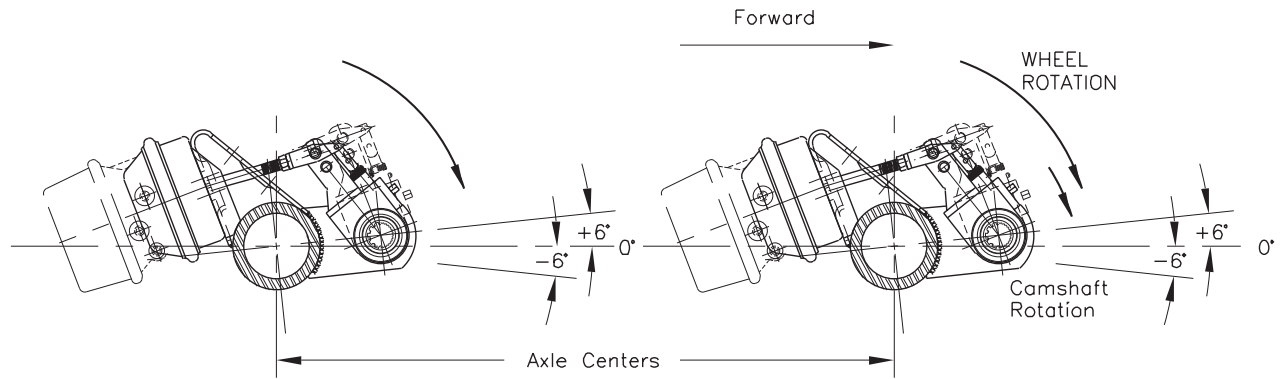
Part Number	Size	A	B	C	D	E	F	G	Recommended Application
034-261-07	Type 20-24	5.62	7.53	1.25	5/8-11	5/8-18	4.75	.50	12 1/4" Brake with Tramec Angled Automatic Slack
034-261-08	Type 20-24	6.38	7.53	1.25	5/8-11	5/8-18	4.75	.50	12 1/4" Brake with Straight Manual Slack
034-060-01	Type 24-30	7.00	7.50	1.25	5/8-11	5/8-18	4.75	.50	Optional 16 1/2" Brake
034-060-07	Type 24-30	5.62	7.50	1.25	5/8-11	5/8-18	4.75	.50	12 1/4" Brake with Tramec Angled Automatic Slack
034-060-08	Type 24-30	6.38	7.50	1.25	5/8-11	5/8-18	4.75	.50	12 1/4" Brake with Straight Manual Slack
034-058-01	Type 30-30	7.00	8.50	1.25	5/8-11	5/8-18	4.75	.50	Standard 16 1/2" Brake
034-058-07	Type 30-30	5.62	8.50	1.25	5/8-11	5/8-18	4.75	.50	12 1/4" Brake with Tramec Angled Automatic Slack
034-058-08	Type 30-30	6.38	8.50	1.25	5/8-11	5/8-18	4.75	.50	12 1/4" Brake with Straight Manual Slack

Note: Clevis assembly NOT included with air chamber. See brake section for Clevis kits.
 Long stroke (2 1/2") spring brake air chambers are available.

Tandem Axle Configurations



Off-Road Applications



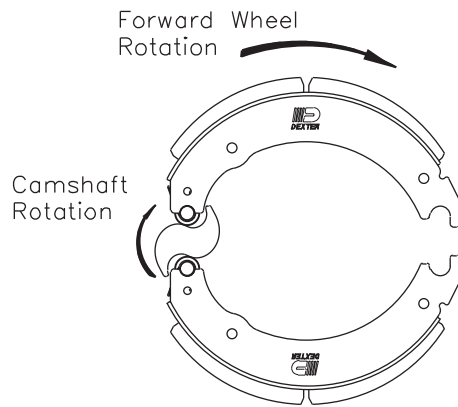
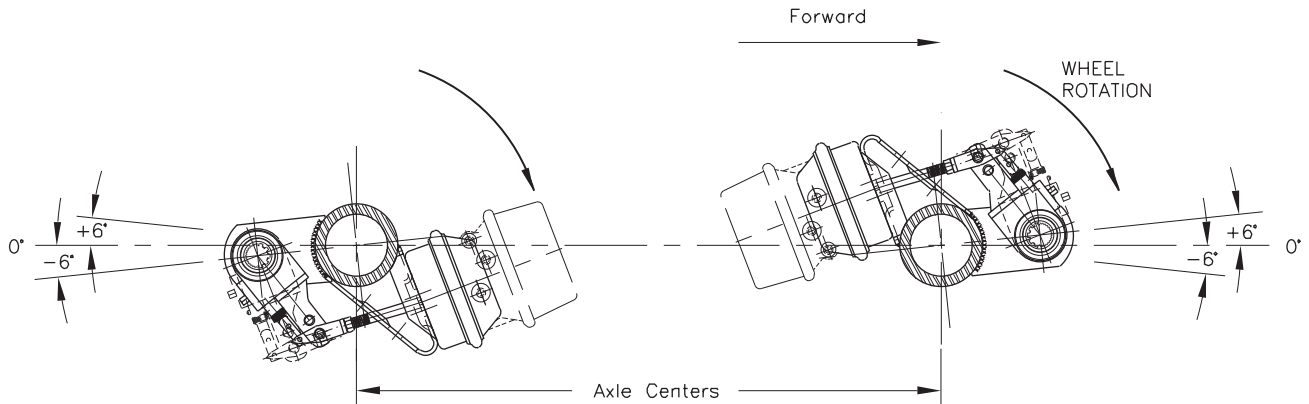
Note:

1. Position of air chambers as shown results in optimum clearances.
2. Use of equal length service lines is recommended.
3. To assure welds are within approved neutral axis zone quadrants, maximum rotation of camshaft position is $+6^\circ$ up to -6° down from 0° neutral axis.

Tandem Axle Configurations



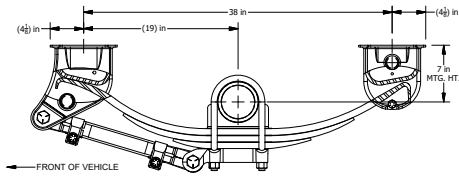
Over-the-Highway Applications



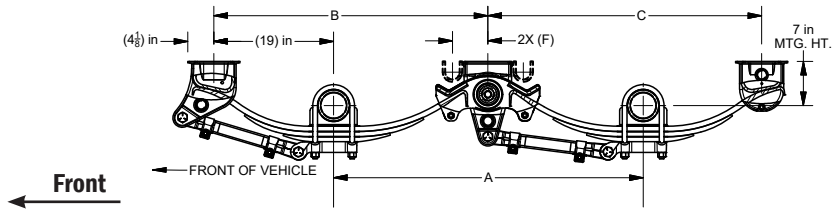
Note:

1. Position of air chambers as shown results in optimum clearances.
2. Use of equal length service lines is recommended.
3. To assure welds are within approved neutral axis zone quadrants, maximum rotation of camshaft position is +6° up to -6° down from 0° neutral axis.

SINGLE

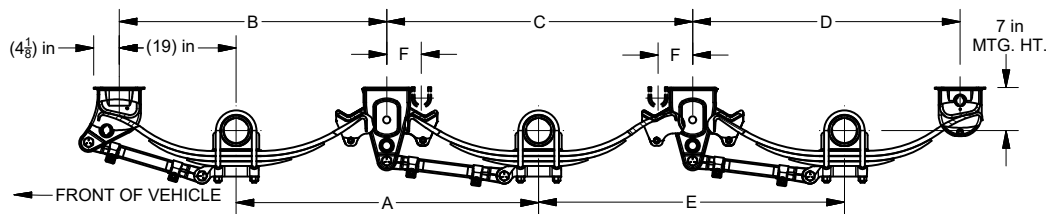


TANDEM



Axle Spacing	A	B	C	F
49 in	49 3/16 in	43 1/2 in	43 1/2 in	N/A
54 in	54 7/32 in	46 1/32 in	46 7/32 in	8 3/8 in
60 in	60 7/32 in	49 1/32 in	49 7/32 in	11 15/32 in

TRIPLE



Axle Spacing	A	B	C	D	E	F
49 in	49 3/16 in	43 1/2 in	49 3/4 in	43 1/2 in	49 3/4 in	N/A
54 in	54 7/32 in	46 1/32 in	54 3/4 in	46 7/32 in	54 3/4 in	8 3/8 in
60 in	60 7/32 in	49 1/32 in	60 3/4 in	49 7/32 in	60 3/4 in	11 15/32 in

10-25K Single Axle Kit Contents

Part No.	Qty	Description
028-082-05	2	Front Hanger
030-075-05	2	Rear Hanger
062-010-10	1	Track Rod Bushed Adj 19.25
062-011-10	1	Track Rod Bushed Fixed 19.25
007-169-00	4	Track Rod Bolt 1-8 x 5.50 UNC
006-278-00	4	Track Rod Locknut 1-8 UNC
033-091-00	2	Keeper Bolt Sleeve
007-294-00	2	Spring Keeper Bolt 5/8-18 x 4.50 UNF
006-126-00	2	Keeper Bolt Locknut 5/8-18 UNF
059-918-00	1	Instruction Sheet

10-25K Multi Axle Kit Contents

Part No.	Qty	Description	Axle Spacing
029-044-10	2	Center Hanger and EQ Assembly HAP-261-01	49"
062-010-10	1	Track Rod Bushed Adj 19.25	49"
062-011-10	1	Track Rod Bushed Fixed 19.25	49"
029-049-10	2	Center Hanger and EQ Assembly HAP-162-01	54"
062-010-54	1	Track Rod Bushed Adj 21.75	54"
062-011-54	1	Track Rod Bushed Fixed 21.75	54"
029-049-20	2	Center Hanger and EQ Assembly HAP-163-01	60"
062-010-60	1	Track Rod Bushed Adj. 24.75	60"
062-011-60	1	Track Rod Bushed Fixed 24.75	60"
007-169-00	4	Track Rod Bolt 1-8 x 5.50 UNC	-
006-278-00	4	Track Rod Locknut 1-8 UNC	-
033-091-00	4	Keeper Bolt Sleeve	-
007-294-00	4	Spring Keeper Bolt 5/8-18 x 4.50 UNF	-
006-126-00	4	Keeper Bolt Locknut 5/8-18 UNF	-
059-918-00	1	Instruction Sheet	-

Suspension Kits

Order appropriate number of HAP kits for a complete suspension

HDSS Underslung			
	49"	HAP-161-01	HAP-261-01
Qty for Single	1		n/a
Qty for Tandem	1		1
Qty for Triple	1		2
	54"	HAP-161-01	HAP-162-01
Qty for Single	1		n/a
Qty for Tandem	1		1
Qty for Triple	1		2
	60"	HAP-161-01	HAP-163-01
Qty for Single	1		n/a
Qty for Tandem	1		1
Qty for Triple	1		2

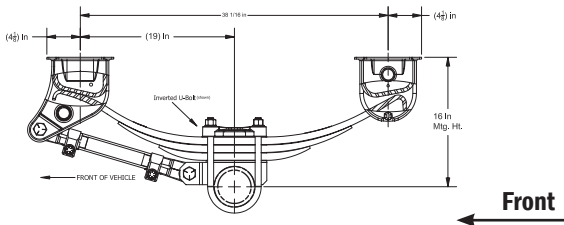
OPTIONAL KITS - Per Axle

HAP-166-00 Bump Stops (One Pair)

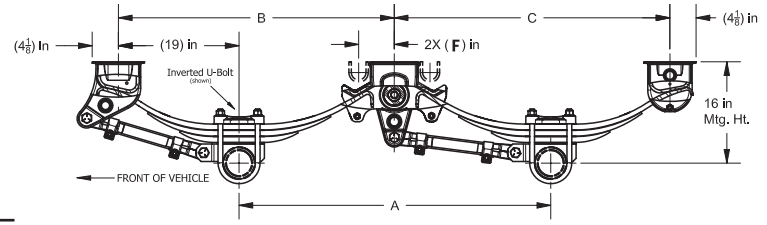
HDSS Overslung



SINGLE

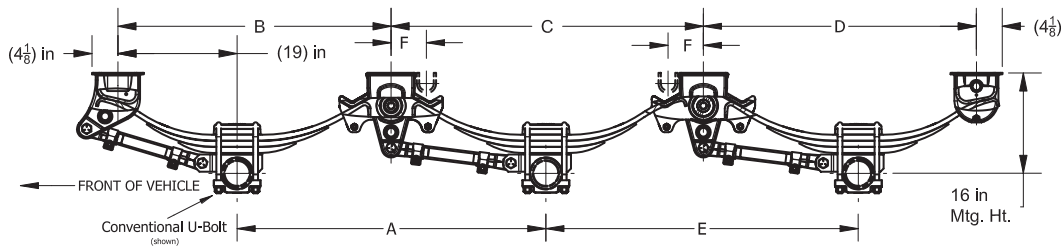


TANDEM



Axle Spacing	A	B	C	F
49 in	49 in	43 1/2 in	43 1/2 in	5 5/8 in
54 in	54 3/16 in	46 1/16 in	46 in	8 3/8 in
60 in	60 3/16 in	49 1/16 in	49 in	11 7/16 in

TRIPLE



Axle Spacing	A	B	C	D	E	F
49 in	49 3/16 in	43 1/2 in	49 3/4 in	43 1/2 in	49 3/4 in	5 5/8 in
54 in	54 3/16 in	46 1/16 in	54 3/4 in	46 in	54 3/4 in	8 3/8 in
60 in	60 3/16 in	49 1/16 in	60 3/4 in	49 in	60 3/4 in	11 7/16 in

10-25K Single Axle Kit Contents

Part No.	Qty	Description
028-082-05	2	Front Hanger
030-075-05	2	Rear Hanger
062-010-10	1	Track Rod Bushed Adj 19.25
062-011-10	1	Track Rod Bushed Fixed 19.25
007-169-00	4	Track Rod Bolt 1-8 x 5.50 UNC
006-278-00	4	Track Rod Locknut 1-8 UNC
033-091-00	2	Keeper Bolt Sleeve
007-294-00	2	Spring Keeper Bolt 5/8-18 x 4.50 UNF
006-126-00	2	Keeper Bolt Locknut 5/8-18 UNF
059-918-00	1	Instruction Sheet

10-25K Multi Axle Kit Contents

Part No.	Qty	Description	Axle Spacing
029-044-10	2	Center Hanger and EQ Assembly HAP-261-01	49"
062-010-10	1	Track Rod Bushed Adj 19.25	49"
062-011-10	1	Track Rod Bushed Fixed 19.25	49"
029-049-10	2	Center Hanger and EQ Assembly HAP-162-01	54"
062-010-54	1	Track Rod Bushed Adj 21.75	54"
062-011-54	1	Track Rod Bushed Fixed 21.75	54"
029-049-20	2	Center Hanger and EQ Assembly HAP-163-01	60"
062-010-60	1	Track Rod Bushed Adj. 24.75	60"
062-011-60	1	Track Rod Bushed Fixed 24.75	60"
007-169-00	4	Track Rod Bolt 1-8 x 5.50 UNC	-
006-278-00	4	Track Rod Locknut 1-8 UNC	-
033-091-00	4	Keeper Bolt Sleeve	-
007-294-00	4	Spring Keeper Bolt 5/8-18 x 4.50 UNF	-
006-126-00	4	Keeper Bolt Locknut 5/8-18 UNF	-
059-918-00	1	Instruction Sheet	-

Suspension Kits

Order appropriate number of HAP kits for a complete suspension

	HDSS Overslung	
	49"	60"
	HAP-161-01	HAP-261-01
Qty for Single	1	n/a
Qty for Tandem	1	1
Qty for Triple	1	2
	HAP-161-01	HAP-162-01
Qty for Single	1	n/a
Qty for Tandem	1	1
Qty for Triple	1	2
	HAP-161-01	HAP-163-01
Qty for Single	1	n/a
Qty for Tandem	1	1
Qty for Triple	1	2

OPTIONAL KITS - Per Axle

HAP-164-01 Attaching Parts Kit - Inverted U-Bolts (Spring Seats, Tie Plates, and Attaching Hardware)

HAP-165-01 Attaching Parts Kit - Conventional U-Bolts (Spring Seats, Tie Plates, and Attaching Hardware)

HAP-166-00 Bump Stops (One Pair)

What Products Are Covered

All Dexter Axle Company ("Dexter") trailer axles, suspensions, and brake control systems manufactured on or after September 1, 2016, excluding Dexter 6000 series Manufactured Housing Axles. Additional exclusions include the following brands: UFP by Dexter, AL-KO (IAC), Titan Brakes and Actuators by Dexter, and BrakeRite by Dexter products, which are covered under separate warranties.

Limited 1 Year Warranty

As specified in Dexter's current publication "Operation Maintenance Service Manual", grease and oil seals FOR ALL PRODUCTS have a one (1) year limited warranty to the original purchaser from the date of first sale of the trailer incorporating such components. **Except as to grease and oil seals, the following four other warranties are available.**

Limited 2 Year Warranty

Dexter warrants to the original purchaser that its electric/hydraulic brake actuators shall be free from defects in material and workmanship for a period of two (2) years from the date of first sale of the trailer incorporating such components.

Limited 5 Year Warranty

Dexter warrants to the original purchaser that its axles, suspension systems and Genuine Replacement Parts shall be free from defects in material and workmanship for a period of five (5) years. The warranty period shall begin from the date of the original purchase of the trailer and/or Genuine Replacement Parts.

Limited 7 Year Warranty

Dexter warrants to the original purchaser that its Predator Series® electric brake controllers shall be free from defects in material and workmanship for a period of seven (7) years from the date of purchase.

Limited 10 Year Warranty

Dexter warrants to the original purchaser that the suspension components of its Torflex® axles shall be free from defects in material and workmanship for a period of ten (10) years from the date of first sale of the trailer incorporating such suspension components.

Exclusive Remedy

Dexter will, at its option, repair or replace the affected components of any defective axle, repair or replace the entire defective axle, or refund the lesser of the original purchase price and the then-current list price of the axle or components. In all cases, a reasonable time period must be allowed for warranty repairs to be completed. Allowance will only be made for installation costs specifically approved by Dexter.

What You Must Do

In order to make a claim under these warranties:

1. You must be the original purchaser of the trailer in which the sprung suspension axles or Torflex® axles or components were originally installed.
2. You must promptly notify Dexter after detection of any defect, but in any case within the applicable warranty period of such defect, and provide us with the axle or applicable component serial number and any substantiation of such defect which may include, but is not limited to, the return of part(s) that we may reasonable request.
3. The axles, suspensions and components must have been installed and maintained in accordance with good industry practice and any specific Dexter recommendations, including those specified in Dexter's current publication "Operation Maintenance Service Manual".

Exclusions

These warranties do not extend to and do not cover defects caused by:

1. The connecting of brake wiring to the trailer wiring or trailer wiring to the towing vehicle wiring.
2. The attachment of the running gear to the frame.
3. Parts not supplied by Dexter.
4. Any damage whatsoever caused by or related to any alteration of the

axle including welding supplemental brackets to the axle.

5. Use of an axle on a unit other than the unit to which it was originally mounted.
6. Normal wear and tear.
7. Improper alignment.
8. Improper installation.
9. Unreasonable use (including failure to provide reasonable and necessary maintenance as specified in Dexter's current publication "Operation Maintenance Service Manual including required maintenance after "Prolonged Storage").
10. Improper torque values and torquing of wheel nuts. (The proper torquing procedure and torque values are contained in Dexter's current publication "Operation Maintenance Service Manual").
11. Cosmetic finish or corrosion.

Limitations

1. **In all cases, Dexter reserves the right to fully satisfy its obligations under the Limited Warranties by refunding the lesser of the original purchase price and the then-current list price of the defective axle (or, if the axle has been discontinued, of the most nearly comparable current product).**
2. Dexter reserves the right to furnish a substitute of replacement component or product in the event an axle or any component of the axle is discontinued or is otherwise unavailable.
3. These warranties are nontransferable.

General

THE FOREGOING WARRANTIES ARE EXCLUSIVE AND IN LIEU OF ALL OTHER WARRANTIES EXCEPT THAT OF TITLE, WHETHER WRITTEN, ORAL OR IMPLIED, IN FACT OR IN LAW (INCLUDING ANY WARRANTY AGAINST INFRINGEMENT OR OF MERCHANTABILITY OR FITNESS FOR A PARTICULAR PURPOSE).

These warranties give you specific legal rights, and you may also have other rights which vary from state to state.

DEXTER HEREBY EXCLUDES INCIDENTAL AND CONSEQUENTIAL DAMAGES, INCLUDING LOSS OF TIME, INCONVENIENCE, LOSS OF USE, TOWING FEES, TELEPHONE CALLS, COST OF MEALS OR LODGING, FOR ANY BREACH OF ANY EXPRESS OR IMPLIED WARRANTY.

Some states do not allow limitations on how long an implied warranty lasts, or the exclusion or limitation if incidental or consequential damages, so the above exclusion or limitation may not apply to you.

Inquiries regarding these warranties should be sent to:

Dexter Axle Company
P.O. Box 250
Elkhart, IN 46515

Note: Current publication "Operation Maintenance Service Manual" can be found at www.dexteraxle.com.

In keeping with our continual commitment to industry safety and the development of innovative products, please feel free to view our ongoing video gallery at www.dexteraxle.com/resources/videos or scan the following QR codes with your smart phone. We are confident these videos will help educate and promote the Dexter product line that you, as our customer, are investing in.



Bearing Maintenance



E/H Actuator Installation



Electric Brakes



E-Z FLEX® Suspension



E-Z LUBE® System



Genuine Brakes



Genuine Replacement Parts



Leaf Spring Axles



Manual Bleed Hydraulic Disc



Medium Duty Axles



NEV-R-ADJUST® Brakes



Power Bleed Hydraulic Disc



Removable Spindle



Sway Control



TORFLEX® Suspension Axles

Genuine Dexter axles and components are available nationwide from our plant locations listed below or through our network of distributors. Check our web site for the distributor nearest you.



Dexter - Headquarters

2900 Industrial Parkway East ■ Elkhart, Indiana 46516
 Phone: 574-295-7888 ■ Fax: 574-295-8666
www.dexteraxle.com

Dexter - Plt 12

301 West Pearl Street
 Fremont, Indiana 46737
 Phone: 260-495-5100
 Fax: 260-495-1701

Dexter - Plt 13

500 South 7th Street
 Albion, Indiana 46701
 Phone: 260-636-2195
 Fax: 260-636-3030

Dexter - Plt 15

500 Southeast 27th Street
 El Reno, Oklahoma 73036
 Phone: 405-262-6700
 Fax: 405-262-9089

Dexter - Plt 21

199 Perimeter Road
 Monticello, Georgia 31064
 Phone: 706-468-6495
 Fax: 706-468-2966

Dexter - Plt 23

5600 Bucknell Drive SW
 Atlanta, Georgia 30336
 Phone: 404-477-6899
 Fax: 470-443-1715

Dexter - Plt 24

135 Sunshine Lane
 San Marcos, California 92069
 Phone: 760-744-1610
 Fax: 760-744-1616

Dexter - Plt 25

1041 Baxter Lane
 Winchester, Tennessee 37398
 Phone: 931-967-5101
 Fax: 877-457-9861

Dexter - Plt 27

1845 South 300 West
 Salt Lake City, UT 84115
 Phone: 801-486-4916
 Fax: 801-486-1711

Dexter - Plt 39

902 South Division Street
 Bristol, Indiana 46507
 Phone: 574-848-4491
 Fax: 574-848-4825
www.ventline.com

Dexter - Plt 51

347 King Street West
 Ingersoll, Ontario N5C 2K9
 Phone: 226-242-5291
 Fax: 226-444-0474
www.ingersollaxles.com

Dexter - Plt 52

5885 51 Street SE
 Calgary, Alberta T2C 3V2
 Phone: 587-323-8411
 Fax: 587-327-0129

Dexter - Plt 61

21611 Protecta Drive
 Elkhart, IN 46516
 Phone: 574-294-6651
 Fax: 574-295-6626

Dexter - Plt 62

301 North Kennedy Street
 Shawnee, Oklahoma 74801
 Phone: 405-273-9315
 Fax: 405-273-1054

**NO PART OF THIS CATALOG MAY BE REPRODUCED WITHOUT DEXTER'S PERMISSION.
 ALL PART NUMBERS, DIMENSIONS AND SPECIFICATIONS IN THIS CATALOG ARE SUBJECT
 TO CHANGE WITHOUT NOTICE.**



www.dexteraxle.com

2900 Industrial Parkway East ■ Elkhart, IN 46516
Phone: 574-295-7888 ■ Fax: 574-295-8666

ISO 9001:2015 Certified

